



# PHILIPPINE NOTICES TO MARINERS

**Edition No.: 08**  
**31 August 2022**

**Notices Nos.: 033 to 037**

---

## CONTENTS

- I Index of Charts Affected
  - II Notices to Mariners
  - III Corrections to Nautical Publications
  - IV Navigational Warnings
  - V Publication Notices
- 

Prepared by the Maritime Affairs Division  
Produced by the Hydrography Branch

Published by the  
Department of Environment and Natural Resources  
**NATIONAL MAPPING AND RESOURCE INFORMATION AUTHORITY**

Notices to Mariners – Philippine edition are now on- line at  
***[http:// www.namria.gov.ph/download.php#publications](http://www.namria.gov.ph/download.php#publications)***

*Subscription may be requested thru e-mail at [maritime.affairs@namria.gov.ph](mailto:maritime.affairs@namria.gov.ph)*

**THE PHILIPPINE NOTICES TO MARINERS** is the monthly publication produced by the Hydrography Branch of the National Mapping and Resource Information Authority (NAMRIA). It contains the recent charts correction data, updates to nautical publications, and other information that is vital for the safety of navigation on Philippine waters.

Copies in digital format may be obtained by sending a request through e-mail address: [css.gismb@namria.gov.ph](mailto:css.gismb@namria.gov.ph) or by downloading at the NAMRIA website: [www.namria.gov.ph/download.php](http://www.namria.gov.ph/download.php).

Masters of vessels and other concerned are requested to advance any report of dangers to navigation and other information affecting Philippine Charts and Coast Pilots which may come to their attention to the **Director, Hydrography Branch**. If such information warrants urgent attention like for instance the non-existence of aids to navigation or failure of light beacons or similar structure or discovery of new shoals, all concerned are requested to contact NAMRIA directly through the following portals:

Mail: NAMRIA-Hydrography Branch,  
421 Barraca St., San Nicolas, 1010 Manila, Philippines  
E-mail: [maritime.affairs@namria.gov.ph](mailto:maritime.affairs@namria.gov.ph)  
Fax: (+632) 8242-2090

The Hydrographic Note form at the back-cover page of this publication must be used in reporting information on dangers to navigation, lighted aids, and other features that should be included in the nautical charts.

An online form for reporting is also now available to the public. Log on to:

Philippine Online Maritime Safety Information System (OMSIS)  
<http://namria.gov.ph/omsis/landing.aspx>

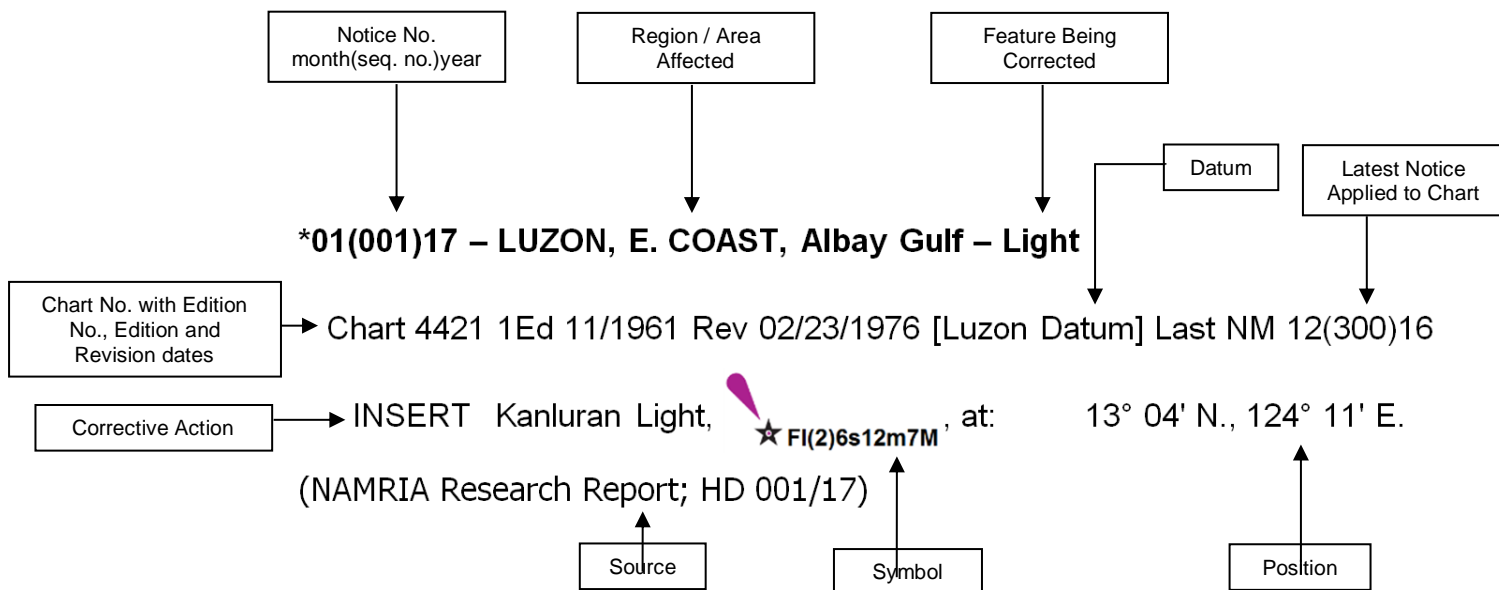
Sign-up and log-in to access the Electronic Hydrographic Note (e-HNote) to report. Other features such as Electronic Nautical Chart Correction Service (e-NCC) and Cumulative List can also be utilized upon subscription to OMSIS.

# Explanatory Notes

- The Philippine Notices to Mariners is divided to following sections:

**Section I. Index of Charts Affected** – Contains the list of all nautical charts which have been affected by Notices to Mariners and the notice numbers which have affected them.

**Section II-A. Notices to Mariners** - Contains corrections to nautical charts in sequential number with the indication of the month and year of its issuance. The illustration below describes the elements that comprise a typical notice:



Notice No. preceded by asterisk “ \* ” indicates that the information is based upon original Philippine source.

**Section II-B. Temporary & Preliminary Notices** – Contains Notices to Mariners that temporarily affects the nautical charts or have preliminary information that is subject to further verification. The capital “P” or “T” affixed in the number of any notice denotes “preliminary” or “temporary”, respectively.

A list of Temporary and Preliminary Notices that are still in force, as well as those that are canceled, is published in this publication every month. The list may be read on page iv.

**Section III-A. Corrections to List of Lights** – Contains the corrections to the latest edition of the Philippine List of Lights. The entire entry for each light will be printed and the columns that contains updates will be denoted by an asterisk “ \* ”. All columns will be denoted by asterisks in the case of new lights.

This section is intended to be cut out and pasted on the section of the List of Lights that is being corrected.

All updates to lighted aids, including their operational status, will be published in this section. All directions and bearings are measured clockwise from true the North 000° to 360°. Bearing on lights is based on the observer from seaward toward the light. The visibility assigned to the lights never exceeds the calculated distance at which they can be seen from a height of 4.57 meters above the level of the water at high tide. Changes in aids to navigation, their maintenance and correction of deficiencies in operation are under the operation of the Philippine Coast Guard. Report of defects and

recommendations concerning aids to navigation should be forwarded to the Commandant of the Philippine Coast Guard.

**Section III-B. Coast Pilot Corrections** – Contains the corrections to the latest edition of the Philippine Coast Pilot book.

**Section IV. Navigational Warnings** – Contains the reprints of all previously issued navigational warnings that are still in effect as of the publication date of this edition of the Philippine Notices to Mariners.

**Section V. Publication Notices** – Contains the latest updates on the nautical charts, electronic navigational charts, and other nautical publications of NAMRIA.

2. NAMRIA issues Notices to Mariners and Navigational Warnings sourced from private entities, foreign publications, national government agencies, and local government units. Such information is published for the sake of safety of navigation on Philippine waters and does not imply recognition of the legal validity of the information issued by the abovementioned sources.
3. While every effort is made to ensure the accuracy of NAMRIA nautical charts and publications, users should bear in mind that it may not be complete or up-to-date, especially in areas where there are extensive developments. Mariners are advised to exercise prudence and to also refer to all navigational equipment aboard ship and use a lookout during navigation.
4. Masters of vessels are warned that great care should be exercised in navigating Philippine waters because of the low visibility and occasional failure of some navigational lights. Buoys and beacons are sometimes lost or destroyed specially after typhoons. Temporary deficiencies in the standard aids to navigation published in this office may have been corrected before subsequent notice is issued.
5. Positions obtained from satellite navigation systems, such as GPS, are normally referred to the WGS-84 Datum. Such position may only be plotted on NAMRIA nautical charts that are also referred to the WGS-84 Datum. Mariners should take note that due to the age and quality of some of information, such satellite-derived positions may be more accurate than charted details.

# **List of Temporary and Preliminary Notices**

(in force as of 31 August 2022)

07(032)T/22 – LUZON, W. COAST, Manila Bay – Buoy  
07(031)T/22 – LUZON, W. COAST, Manila Bay – Buoy  
05(022)T/22 – LUZON, W. COAST, Manila Bay – Buoy  
02(006)T/22 – LUZON, W. COAST, Manila Bay – Buoys  
04(023)P/19 – MINDANAO, N. COAST, Iligan Bay – Buoy  
11(063)P/18 – LUZON, W. COAST, Subic Bay – Wreck  
06(033)P/18 – LUZON, W. COAST, San Fernando Harbor – Buoy  
02(014)P/17 – MINDANAO, N. COAST, Butuan Bay – Submarine Pipeline

## TABLE OF CONTENTS

Index of Charts Affected - - - - -	01
Notices to Mariners - - - - -	02
Temporary & Preliminary Notices - - - - -	11
List of Lights Corrections - - - - -	12
Coast Pilot Corrections - - - - -	14
Navigational Warnings - - - - -	15
Publication Notices - - - - -	97

**I**  
**INDEX OF CHARTS AFFECTED**

<b>Chart No.</b>	<b>Notice No.</b>		<b>Chart No.</b>	<b>Notice No.</b>
1501	08(035)22		4250	08(036)22
	08(036)22			
			4255	08(035)22
1502	08(033)22			
			4466	08(037)22
1548	08(037)22			
			4466A	08(037)22
1549	08(037)22			
			4705	08(033)22
4208	08(034)22			08(034)22
				08(036)22
4209	08(033)22			
	08(034)22		4706	08(036)22
				08(037)22
4238	08(034)22			
			4718	08(037)22
4239	08(034)22			
			4726A	08(034)22
4243	08(036)22			
			4803	08(033)22
4246	08(034)22			
<b>Electronic Navigational Charts (ENC) Affected</b>				
PH2NLZ40	08(033)22		PH4MCT40	08(036)22
	08(034)22			
	08(035)22		PH5SFDH0	08(033)22
	08(036)22			08(034)22
PH2CVZ40	08(037)22			

## II NOTICES TO MARINERS

### \*08(033)22 – LUZON, W. COAST, Agno Bay to Tambobo Pt. – Lights

Chart 1502 1Ed 02/02/2012 [WGS-84 Datum] Last NM 05(018)22

Insert  **FI(3)15s75m15M** at: 15° 59.09' N., 119° 45.72' E.


Delete  **FI(3)15s** at: 16° 00.40' N., 119° 45.68' E.

Chart 4209 1Ed 06/16/1958 Rev 10/06/1980 [Luzon Datum] Last NM 12(074)21

Insert  **FI(3)15s75m15M** at: 15° 59.19' N., 119° 45.64' E.

Delete  **FI(3)15s** at: 16° 00. 50' N., 119° 45.60' E.

Chart 4705 3Ed 03/2010 [WGS-84 Datum] Last NM 05(018)22

Insert  **FI(3)15s75m15M** at: 15° 59.1' N., 119° 45.7' E.

Delete  **FI(3)15s** at: 16° 00.4' N., 119° 45.7' E.

Amend characteristics of Agno Light from FI.G.5s10M to FI.G.5s87m11M  
at: 16° 08.0' N., 119° 46.6' E.

Chart 4803 1Ed 12/2006 [WGS-84 Datum] Last NM 05(018)22

Insert  **FI(3)15s75m15M** at: 15° 59.1' N., 119° 45.7' E.

Delete  **FI(3)15s** at: 16° 00.4' N., 119° 45.7' E.

ENCs Affected: PH2NLZ40  
(NAMRIA Coast Pilot Survey Report; HD 310/22)



## II NOTICES TO MARINERS

### \*08(034)22 – LUZON, W. COAST, Lingayen Gulf – Lights. Buoys. Dolphin


Chart 4208 1Ed 05/28/1962 Rev 03/03/1986 [Luzon Datum] Last NM 09(047)20

Amend characteristics of San Fernando Point Light from FI(2)10s33m10M to FI(2)10s49m18M  
at: 16° 37.00' N., 120° 16.77' E.

characteristics of San Fernando Range (Front) Light from F.G.6m7M to F.G.8m7M  
at: 16° 37.10' N., 120° 18.66' E.

characteristics of San Fernando Range (Rear) Light from F.G.34m7M to F.G.37m7M  
at: 16° 36.81' N., 120° 18.88' E.

Chart 4209 1Ed 06/16/1958 Rev 10/06/1980 [Luzon Datum] Last NM 08(033)22

Insert  **FI.R.5s51m15M** at: 16° 04.58' N., 120° 06.66' E.



 **FI.R.5s12m8M** at: 16° 18.96' N., 120° 00.77' E.



 **FI(2)10s13m10M** at: 16° 26.72' N., 119° 55.32' E.



at: 16° 07.50' N., 120° 06.37' E.

Delete  **FI.R.5s12M** at: 16° 04.53' N., 120° 06.70' E.



 **FI.G.5s** at: 16° 18.83' N., 120° 00.82' E.



 **FI(2)10s** at: 16° 26.60' N., 119° 55.30' E.



Amend characteristics of San Fernando Point Light from FI(2)10s33m10M to FI(2)10s49m18M  
at: 16° 37.00' N., 120° 16.77' E.

characteristics of San Fernando Range (Front) Light from F.G.6m7M to F.G.8m7M  
at: 16° 37.10' N., 120° 18.66' E.

characteristics of San Fernando Range (Rear) Light from F.G.34m7M to F.G.37m7M  
at: 16° 36.81' N., 120° 18.88' E.

## II NOTICES TO MARINERS

### \*08(034)22 – LUZON, W. COAST, Lingayen Gulf – Lights. Buoys. Dolphin (continued)

Chart 4209 1Ed 06/16/1958 Rev 10/06/1980 [Luzon Datum] Last NM 08(033)22

Amend characteristics of Sta Rita Light from Fl.G.5s7M to Fl.5s14m10M  
at: 16° 21.33' N., 120° 20.49' E.

characteristics of Damortis Light from Fl.R.5s7M to Fl.R.5s15m15M  
at: 16° 14.52' N., 120° 24.14' E.

characteristics of Dagupan Light from Fl.5s14m15M to Fl.5s36m5M  
at: 16° 04.47' N., 120° 20.05' E.

characteristics of Lucap Light from Fl.G.5s10M to Fl.G.5s37m5M  
at: 16° 11.67' N., 120° 00.15' E.

characteristics of Bolinao Light from Fl.5s26m5M to Fl.R.5s69m11M  
at: 16° 22.84' N., 119° 54.80' E.

characteristics of Agno Light from Fl.G.5s10M to Fl.G.5s87m11M  
at: 16° 08.06' N., 119° 46.53' E.

Chart 4238 1Ed 07/1938 Rev 03/1985 [Luzon Datum] Last NM 08(168)13

Insert  **Fl.R.5s12m8M** at: 16° 18' 57"N., 120° 00' 46"E.




 **Fl(2)10s13m10M** at: 16° 26' 43"N., 119° 55' 19"E.



 **Dn**

at: 16° 22' 57"N., 119° 54' 43"E.

Delete  **Fl.G.5s** at: 16° 18' 50"N., 120° 00' 49"E.



 **Fl(2)10s**



at: 16° 26' 36"N., 119° 55' 18"E.

Amend characteristics of Bolinao Light from Fl.5s26m5M to Fl.R.5s69m11M  
at: 16° 22' 51"N., 119° 54' 48"E.


## II NOTICES TO MARINERS


### \*08(034)22 – LUZON, W. COAST, Lingayen Gulf – Lights. Buoys. Dolphin (continued)

Chart 4239 2Ed 02/02/1998 [Luzon Datum]

Insert  **Fl.R.5s51m15M** at: 16° 04' 35"N., 120° 06' 39"E.

Delete  **Fl.R.5s12M** at: 16° 04' 32"N., 120° 06' 42"E.

 **Q(6) + LFI** at: 16° 04' 31"N., 120° 06' 27"E.

 **Fl.R.5s** at: 16° 04' 20"N., 120° 06' 13"E.


 at: 16° 07' 26"N., 120° 06' 19"E.  
16° 07' 30"N., 120° 06' 22"E.

Chart 4246 3Ed 09/30/2016 [WGS-84 Datum]

Amend characteristics of San Fernando Point Light from Fl(2)10s33m10M to Fl(2)10s49m18M  
at: 16° 36' 53.6 "N., 120° 16' 51.0 "E.

characteristics of San Fernando Range (Front) Light from F.G.6m7M to F.G.8m7M  
at: 16° 36' 59.7 "N., 120° 18' 44.7 "E.

characteristics of San Fernando Range (Rear) Light from F.G.34m7M to F.G.37m7M  
at: 16° 36' 42.4 "N., 120° 18' 57.5 "E.

Chart 4705 3Ed 03/2010 [WGS-84 Datum] Last NM 08(033)22

Amend characteristics of San Fernando Point Light from Fl(2)10s33m10M to Fl(2)10s49m18M  
at: 16° 36.9' N., 120° 16.9' E.

characteristics of San Fernando Range (Front) Light from F.G.6m7M to F.G.8m7M  
at: 16° 37.0' N., 120° 18.7' E.

characteristics of San Fernando Range (Rear) Light from F.G.34m7M to F.G.37m7M  
at: 16° 36.7' N., 120° 19.0' E.

characteristics of Sta Rita Light from Fl.G.5s7M to Fl.5s14m10M  
at: 16° 21.2' N., 120° 20.6' E.

## II NOTICES TO MARINERS

### **\*08(034)22 – LUZON, W. COAST, Lingayen Gulf – Lights. Buoys. Dolphin (continued)**

Chart 4705 3Ed 03/2010 [WGS-84 Datum] Last NM 08(033)22

Amen characteristics of Damortis Light from Fl.R.5s7M to Fl.R.5s15m15M  
at: 16° 14.4' N., 120° 24.2' E.

characteristics of Dagupan Light from Fl.5s14m15M to Fl.5s36m5M  
at: 16° 04.4' N., 120° 20.1' E.

characteristics of Sual Light from Fl.R.5s12M to Fl.R.5s51m15M  
at: 16° 04.5' N., 120° 06.7' E.

characteristics of Lucap Light from Fl.G.5s10M to Fl.G.5s37m5M  
at: 16° 11.6' N., 120° 00.2' E.

characteristics of Anda Light from Fl.G.5s to Fl.R.5s12m8M  
at: 16° 18.9' N., 120° 00.9' E.

characteristics of Bolinao Light from Fl.5s26m5M to Fl.R.5s69m11M  
at: 16° 22.7' N., 119° 54.9' E.

characteristics of Silaque Light from Fl(2)10s to Fl(2)10s13m10M  
at: 16° 26.6' N., 119° 55.4' E.

Chart 4726A 4Ed 01/30/2018 [WGS-84 Datum] Last NM 05(018)22

Amend characteristics of Silaque Light from Fl(2)10s to Fl(2)10s13m10M  
at: 16° 26.6' N., 119° 55.4' E.

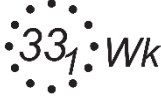

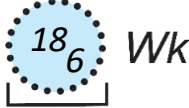


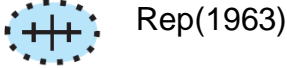



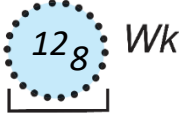

ENCs Affected: PH2NLZ40 & PH5SFDH0  
(NAMRIA Coast Pilot Survey Report; HD 310/22)



## II NOTICES TO MARINERS

### \*08(036)22 – LUZON, W. COAST, Manila Bay – Wrecks. Obstruction. Pilot Station

Chart 1501 2Ed 05/12/2021 [WGS-84 Datum] 08(035)22

Insert		at: 14° 23.92' N., 120° 29.16' E.
Delete		at: 14° 21.84' N., 120° 32.13' E.
		at: 14° 25.38' N., 120° 35.13' E. 14° 29.62' N., 120° 46.79' E. 14° 29.94' N., 120° 47.25' E.
		at: 14° 29.76' N., 120° 46.13' E.
		at: 14° 26.91' N., 120° 42.88' E. 14° 29.71' N., 120° 48.59' E. 14° 31.60' N., 120° 47.79' E. 14° 34.92' N., 120° 50.08' E. 14° 33.00' N., 120° 43.00' E.
		at: 14° 31.43' N., 120° 50.56' E.
		at: 14° 33.00' N., 120° 42.90' E.
		at: 14° 25.60' N., 120° 36.50' E. 14° 29.88' N., 120° 45.03' E.
		at: 14° 30.19' N., 120° 48.85' E.
		at: 14° 31.29' N., 120° 49.64' E.
		at: 14° 32.48' N., 120° 47.57' E.

## II NOTICES TO MARINERS

**\*08(036)22 – LUZON, W. COAST, Manila Bay – Wrecks. Obstruction. Pilot Station  
(continued)**

Chart 1501 2Ed 05/12/2021 [WGS-84 Datum] 08(035)22

- |        |  |    |                                   |
|--------|--|----|-----------------------------------|
| Delete |  | Wk | at: 14° 32.85' N., 120° 51.60' E. |
|        |  | Wk | at: 14° 33.21' N., 120° 51.59' E. |
|        |  | Wk | at: 14° 34.43' N., 120° 51.19' E. |
|        |  | Wk | at: 14° 23.91' N., 120° 35.48' E. |
|        |  | Wk | at: 14° 15.21' N., 120° 32.68' E. |

Chart 4243 4Ed 05/2016 [WGS-84 Datum] Last NM 02(005)22

- |        |  |           |                                   |
|--------|--|-----------|-----------------------------------|
| Delete |  | Wk        | at: 14° 32.85' N., 120° 51.60' E. |
|        |  | Wk        | at: 14° 33.21' N., 120° 51.59' E. |
| Wk     |  | Rep(1971) | at: 14° 34.43' N., 120° 51.19' E. |

Chart 4250 1Ed 10/29/2021 [WGS-84 Datum] Last NM 05(016)22

- |        |  |    |                                   |
|--------|--|----|-----------------------------------|
| Insert |  |    | at: 14° 29.45' N., 120° 38.13' E. |
| Delete |  | PA | at: 14° 26.91' N., 120° 42.88' E. |
|        |  | Wk | at: 14° 23.91' N., 120° 35.48' E. |
|        |  |    | at: 14° 25.60' N., 120° 36.50' E. |

## II NOTICES TO MARINERS

**\*08(036)22 – LUZON, W. COAST, Manila Bay – Wrecks, Obstruction, Pilot Station  
(continued)**

Chart 4250 1Ed 10/29/2021 [WGS-84 Datum] Last NM 05(016)22

Delete



at: 14° 15.21' N., 120° 32.68' E.

Chart 4705 3Ed 03/2010 [WGS-84 Datum] Last NM 08(034)22

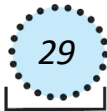


at: 14° 26.9' N., 120° 42.9' E.  
14° 29.7' N., 120° 48.6' E.

Wk  $\frac{18}{7}$

at: 14° 29.8' N., 120° 46.1' E.

Chart 4706 2Ed 12/2010 [WGS-84 Datum] Last NM 05(020)22



at: 14° 21.8' N., 120° 32.1' E.

ENCs affected: PH2NLZ40, PH4MCT40  
(NAMRIA; HD 386/22)



## II

# NOTICES TO MARINERS

### **\*08(037)22 – NEGROS, E. COAST, Refugio Pass – Light**

Chart 1548 1Ed 05/17/2017 [WGS-84 Datum] Last NM 06(026)22

Amend characteristics of Refugio Light from Fl.10s.37m51M to Fl.10s.37m15M  
at: 10° 28.15'N., 123° 26.89'E.

Chart 1549 1Ed 03/26/2018 [WGS-84 Datum] Last NM 02(004)22

Amend characteristics of Refugio Light from Fl.10s.37m51M to Fl.10s.37m15M  
at: 10° 28.15'N., 123° 26.89'E.

Chart 4466 1Ed 04/15/1957 Rev 01/01/1981 [Luzon Datum] Last NM 06(026)22

Amend characteristics of Refugio Light from Fl.10s.37m51M to Fl.10s.37m15M  
at: 10° 28' 13.6"N., 123° 26' 48.8"E.

Chart 4466A 1Ed 09/12/1986 Rev 01/30/1989 [Luzon Datum] Last NM 06(031)21

Amend characteristics of Refugio Light from Fl.10s.37m51M to Fl.10s.37m15M  
at: 10° 28' 13.6"N., 123° 26' 48.8"E.

Chart 4706 2Ed 12/2010 [WGS-84 Datum] Last NM 05(016)22

Amend characteristics of Refugio Light from Fl.10s.37m51M to Fl.10s.37m15M  
at: 10° 28.2'N., 123° 26.9'E.

Chart 4708 2Ed 11/2010 [WGS-84 Datum] Last NM 06(028)22

Amend characteristics of Refugio Light from Fl.10s.37m51M to Fl.10s.37m15M  
at: 10° 28.2'N., 123° 26.9'E.

Chart 4718 1Ed 10/16/1971 Rev 11/24/1975 [Luzon Datum] Last NM 06(028)22

Amend characteristics of Refugio Light from Fl.10s.37m51M to Fl.10s.37m15M  
at: 10° 28.2'N., 123° 26.8'E.

ENC affected: PH2CVZ40

(PCG NOTAM 117-2021 & NAMRIA List of Lights; HD 283/20 & 102/21)

### **III**

## **TEMPORARY AND PRELIMINARY NOTICES**

No Temporary or Preliminary Notice for this month

### III

## LIST OF LIGHTS CORRECTIONS

### LIGHTHOUSES

NUMBER (1)	NAME (2)	POSITION (3)	CHARACTERISTICS (4)	Elev(m) (5)	Range (NM) (6)	STRUCTURE (7)	REMARKS (8)	
<b>REGION I - ILOCOS REGION</b>								
<b>LA UNION</b>								
0024	F2698	<b>SAN FERNANDO POINT</b> (PCG: LS Poro Point)	16 36 54 N 120 16 51 E	FI(2)W 10s	49	<b>18</b>	White round metal tower and dwelling, 19	In WGS-84 Datum
		*	*	*	*	*	*	
0023	F2702	SAN FERNANDO RANGE (FRONT)	16 37 00 N 120 18 45 E	F G	8	7	White concrete post, 6	In WGS-84 Datum
		*	*	*	*	*	*	
0022	F2702.1	SAN FERNANDO RANGE (REAR)	16 36 42 N 120 18 58 E	F G	37	7	White concrete post, 18	In WGS-84 Datum
		*	*	*	*	*	*	
0025	F2697	STA. RITA	16 21 14 N 120 20 34 E	FI W 5s	14	10	White church bell tower, 12	In WGS-84 Datum
		*	*	*	*	*	*	
0026	F2696	<b>DAMORTIS</b>	16 14 25 N 120 24 14	FI R 5s	15	<b>15</b>	White concrete tower	In WGS-84 Datum
		*	*	*	*	*	*	
		*	*	*	*	*	*	
<b>PANGASINAN</b>								
0027	F2694	DAGUPAN	16 04 22 N 120 20 08 E	FI W 5s	36	5	White concrete tower, 15	In WGS-84 Datum
		*	*	*	*	*	*	
0028	F2692	<b>SUAL</b>	16 04 29 N 120 06 44 E	FI R 5s	51	<b>15</b>	Concrete mast, 10	In WGS-84 Datum
		*	*	*	*	*	*	
0029	F2691	LUCAP	16 11 34 N 120 00 14 E	FI G 5s	37	5	White concrete tower, 15	In WGS-84 Datum
		*	*	*	*	*	*	
0030	F2690.5	ANDA	16 18 51 N 120 00 51 E	FI R 5s	12	8	Metal post, 5	In WGS-84 Datum
		*	*	*	*	*	*	
0031	F2690	PORT BOLINAO	16 22 44 N 119 54 53 E	FI R 5s	69	11	White concrete tower, 14	In WGS-84 Datum
		*	*	*	*	*	*	
0032	F2689	SILAQUE	16 26 37 N 119 55 24 E	FI(2)W 10s	13	10	White GRP tower, 9	In WGS-84 Datum
		*	*	*	*	*	*	
0034	F2686	<b>CABONGOAN</b> (PCG: LS Burgos)	15 59 05 N 119 45 43 E	FI(3)W 15s	75	<b>15</b>	White GRP tower, 14	In WGS-84 Datum
		*	*	*	*	*	*	
0629	F2686.6	SABANGAN POINT (PCG: LS Agno)	16 07 57 N 119 46 37 E	FI G 5s	87	11	White concrete tower, 14	In WGS-84 Datum
		*	*	*	*	*	*	
		*	*	*	*	*	*	
<b>REGION VI - WESTERN VISAYAS</b>								
<b>GUIMARAS</b>								
0209	F2319	NAVALAS	10 42 56 N 122 42 46 E	FI(3)W 6s		8	White GRP tower, 9	In WGS-84 Datum
		*	*	*	*	*	*	

Note: Asterisk "\*" indicates new information in the column above it.

### III

## LIST OF LIGHTS CORRECTIONS

#### LIGHTED BUOYS

NUMBER (1)	NAME (2)	POSITION (3)	CHARACTERISTICS (4)	Elev(m) (5)	Range (NM) (6)	STRUCTURE (7)	REMARKS (8)
<b>REGION I – ILOCOS REGION</b>							
<b>PANGASINAN</b>							
0454	(Buoy)	16 04 31 N 120 06 27 E					Deleted from the List of Lights
0471	(Buoy)	16 04 20 N 120 06 13 E					Deleted from the List of Lights
0491	Buoy 1	16 07 27 N 120 06 22 E	FI Y		8	Yellow. Topmark: single yellow X	In WGS-84 Datum
	*	*				*	*
0492	Buoy 2	16 07 38 N 120 06 15 E	FI Y		8	Yellow. Topmark: single yellow X	In WGS-84 Datum
	*	*				*	*
0493	Buoy 3	16 07 24 N 120 06 31 E	FI Y		8	Yellow. Topmark: single yellow X	In WGS-84 Datum
	*	*				*	*
0494	Buoy 4	16 07 47 N 120 06 33 E	QFI(3)W 10s		9	Red. Topmark: two cones pointing upward	In WGS-84 Datum
	*	*				*	*
0495	Buoy 5	16 07 35 N 120 06 44 E	QFI W		8	Green. Topmark: single green cylinder	In WGS-84 Datum
	*	*				*	*
0496	Buoy 6	16 07 58 N 120 06 58 E	FI W 10s		9	Red with white stripes. Topmark: single red and white sphere	In WGS-84 Datum
	*	*				*	*

Note: Asterisk “\*” indicates new information in the column above it.

### III

## COAST PILOT CORRECTIONS

### Philippine Coast Pilot, 7th Ed. Volume 1

### Chapter 5 – Luzon Island

Page 5-20, left column, lines 6-12. Replace by:

**Prominent Features** - The land around **Portuguese Point**, on the N side of the entrance, appears like an island from a distance of 7 to 8 miles. The point may be recognized by the ruins of an old fort. A reef extends about 0.2 mile S from Portuguese Point. This is always covered and only breaks when the wind sets in.

Page 5-20, left column, line 14. Replace by:

**Mangas Point**, on the S side of the entrance, is

Page 5-20, left column, line 18. Insert:

**Major Light** - Sual Light (16° 04' 29"N., 120° 06' 44"E.) is displayed from a concrete post on Portuguese Point.

**Navigational Aids** - Lighted buoys, details of which may be best referred through nautical charts and the List of Lights, were installed in Sual Bay.

Page 5-20, left column, line 19. Replace by:

**Danger - Adela Rock**, with 3 m (10 ft) over it, and 7.3 to 11

Page 5-22, left column, line 24. Replace:

by Silaque Light (16° 26' 37"N., 119° 55' 24"E.).

Page 5-24, right column, line 17-18. Replace:

**Major Light** - Port Bolinao Light (16° 22' 44"N., 119° 54' 53"E.) is shown from a white tower located about 0.3

Page 5-25, left column, line 50-51. Replace:

**Major Light** - Sabangan Point Light (16° 07' 57"N., 119° 46' 37"E.) is displayed from a concrete tower at the

Page 5-25, left column, line 54-56. Replace:

From **SAOIT POINT**, the S point extends NW for a little over 0.5 mile. It is a sunken reef with about 3.7 m (2 fm) over it. The coast to Caiman Point have small bays with rivers at their heads. Cabongoan Light (15° 59' 05"N, 119° 45' 43"E.) is displayed from white tower, about 1.2 miles NE of Tambobo Point.

# IV

## NAVIGATIONAL WARNINGS

Date: 02 December 2021

Reference: PCG NTM 364-2021 (HD 268/21)

### MESSAGE

---

**NAVPHIL 227/21 – LUZON, W. COAST, MANILA BAY – DREDGING WORKS**

**BOSKALIS PHILIPPINES INC., UTILIZING VARIOUS VESSELS AND OFFSHORE EQUIPMENT, IS CONDUCTING DREDGING WORKS UNTIL 31 OCTOBER 2023 AT SAN NICOLAS SHOAL OFF THE PROVINCE OF CAVITE IN THE AREA BOUNDED BY THE FOLLOWING COORDINATES:**

POSITION	COORDINATES
1	14° 21' 03"N., 120° 41' 39"E.
2	14° 21' 03"N., 120° 43' 29"E.
3	14° 26' 14"N., 120° 49' 18"E.
4	14° 26' 59"N., 120° 48' 37"E.
5	14° 26' 59"N., 120° 46' 43"E.

**ALL SHIPS/WATERCRAFTS TRANSITING THE VICINITY OF THE ABOVE-MENTIONED AREA ARE ADVISED TO TAKE NOTE OF THE INFORMATION AND TAKE NECESSARY PRECAUTIONARY MEASURES AT ALL TIMES.**

**CANCEL THIS NAVIGATIONAL WARNING ON 01 NOVEMBER 2023.**

# IV

## NAVIGATIONAL WARNINGS

Date: 22 December 2021

Reference: PCG NTM 384-2021 (HD 275/21)

### MESSAGE

---

**NAVPHIL 234/21 – LUZON, W. COAST, MANILA BAY – DREDGING WORKS**

**BOSKALIS PHILIPPINES INC., UTILIZING VARIOUS VESSELS AND EQUIPMENT, IS CONDUCTING DREDGING WORKS UNTIL APRIL 2025 OFF THE SHORES OF MANILA AND PASAY WITHIN THE AREA BOUNDED BY THE FOLLOWING COORDINATES:**

POS.	COORDINATES
1	14° 31' 58"N., 120° 53' 40"E.
2	14° 33' 34"N., 120° 56' 56"E.
3	14° 33' 33"N., 120° 58' 08"E.
4	14° 33' 04"N., 120° 58' 09"E.
5	14° 32' 08"N., 120° 56' 10"E.

**ALL SHIPS/WATERCRAFTS TRANSITING THE VICINITY OF THE ABOVE-MENTIONED AREA ARE ADVISED TO TAKE NOTE OF THE INFORMATION AND TAKE NECESSARY PRECAUTIONARY MEASURES AT ALL TIMES.**

**CANCEL THIS NAVIGATIONAL WARNING ON 01 MAY 2025.**

## **IV NAVIGATIONAL WARNINGS**

Date: 13 January 2022

Reference: PCG NTM 008-2022 (HD 008/22)

### **MESSAGE**

---

#### **NAVPIL 006/22 – LUZON W. COAST, PASIG RIVER – INSTALLATION**

**THE RIVER RECYCLE COMPANY IS CONDUCTING RIVER CLEANING EQUIPMENT INSTALLATION AND OPERATION FROM JANUARY TO DECEMBER 2022 AT THE MOUTH OF PASIG RIVER WITHIN THE AREA BOUNDED BY THE FOLLOWING COORDINATES:**

- |          |                                      |
|----------|--------------------------------------|
| <b>1</b> | <b>14° 35' 42"N., 120° 56' 44"E.</b> |
| <b>2</b> | <b>14° 35' 34"N., 120° 56' 58"E.</b> |
| <b>3</b> | <b>14° 35' 46"N., 120° 57' 13"E.</b> |
| <b>4</b> | <b>14° 35' 42"N., 120° 57' 22"E.</b> |

**ALL SHIPS/WATERCRAFTS TRANSITING THE VICINITY OF THE ABOVE-MENTIONED AREA ARE ADVISED TO TAKE NOTE OF THE INFORMATION AND TAKE NECESSARY PRECAUTIONARY MEASURES AT ALL TIMES.**

**CANCEL THIS NAVIGATIONAL WARNING ON 01 JANUARY 2023.**



# IV

## NAVIGATIONAL WARNINGS

Date: 19 January 2022

Reference: PCG NTM 012-2022 (HD 012/22)

### MESSAGE

---

#### NAVPHIL 010/22 – LUZON, W. COAST, MANILA BAY – OFFSHORE WORKS

PASAY HARBOR CITY CORP., UTILIZING MULTIPLE VESSELS AND EQUIPMENT, IS CONDUCTING GEOTECHNICAL INVESTIGATION, DREDGING WORKS AND INSTALLATION OF DEMARCATION BUOYS UNTIL 30 JUNE 2023 AT SAN NICOLAS SHOAL, CAVITE IN THE AREAS INDICATED BELOW:

#### DREDGING AREAS

##### SNS (1000-HEC)

A1	14° 26' 59"N., 120° 45' 41"E.
B1	14° 26' 59"N., 120° 46' 43"E.
C1	14° 23' 49"N., 120° 44' 00"E.
D1	14° 24' 19"N., 120° 43' 24"E.

##### SNS (400-HEC)

A2	14° 22' 36"N., 120° 42' 12"E.
B2	14° 24' 11"N., 120° 43' 33"E.
C2	14° 23' 49"N., 120° 44' 00"E.
D2	14° 22' 14"N., 120° 42' 39"E.

#### DEMARCATION BUOYS LOCATION

1	14° 22' 14"N., 120° 42' 39"E.
2	14° 22' 36"N., 120° 42' 12"E.
3	14° 24' 19"N., 120° 43' 24"E.
4	14° 25' 39"N., 120° 44' 32"E.
5	14° 26' 59"N., 120° 46' 43"E.
6	14° 26' 59"N., 120° 45' 41"E.

ALL SHIPS/WATERCRAFTS TRANSITING THE VICINITY OF THE ABOVE- MENTIONED AREAS ARE ADVISED TO TAKE NOTE OF THE INFORMATION AND TAKE NECESSARY PRECAUTIONARY MEASURES AT ALL TIMES.

THIS CANCELS NAVPHIL 217/21.

CANCEL THIS NAVIGATIONAL WARNING ON 01 JULY 2023.

# IV

## NAVIGATIONAL WARNINGS

Date: 28 January 2022

Reference: PCG NTM 022-2022 (HD 017/22)

### MESSAGE

---

**NAVPHIL 015/22 – LUZON W. COAST, MANILA BAY – SURVEY WORKS**

**BOSKALIS PHILIPPINES, INC., UTILIZING “ETHELINA VIII” IS CONDUCTING SURVEY ACTIVITIES OFF PASAY CITY IN MANILA BAY FROM 27 JANUARY 2022 TO 30 APRIL 2025 IN THE AREA BOUNDED BY THE FOLLOWING COORDINATES:**

<b>A</b>	<b>14° 31' 58"N., 120° 53' 40"E.</b>
<b>B</b>	<b>14° 33' 34"N., 120° 56' 56"E.</b>
<b>C</b>	<b>14° 33' 32"N., 120° 58' 08"E.</b>
<b>D</b>	<b>14° 32' 33"N., 120° 58' 08"E.</b>
<b>E</b>	<b>14° 31' 34"N., 120° 56' 56"E.</b>
<b>F</b>	<b>14° 32' 11"N., 120° 55' 51"E.</b>

**ALL SHIPS/WATERCRAFTS TRANSITING THE VICINITY OF THE ABOVE-MENTIONED AREA ARE ADVISED TO TAKE NOTE OF THE INFORMATION AND TAKE NECESSARY PRECAUTIONARY MEASURES AT ALL TIMES.**

**CANCEL THIS NAVIGATIONAL WARNING ON 01 MAY 2025.**

# IV

## NAVIGATIONAL WARNINGS

Date: 23 March 2022

Reference: PCG NTM 107-2022 (HD 103/22)

### MESSAGE

---

#### NAVPHIL 064/22 – LUZON W. COAST, MANILA BAY – DRILLING WORKS

CHINA HARBOUR ENGINEERING COMPANY, UTILIZING MTUG “MARIVELES” AND BARGE “SY 607” IS CONDUCTING DRILLING WORKS OFF THE SHORE OF TERNATE AND NAIC, CAVITE UNTIL 31 DECEMBER 2022 IN THE AREA BOUNDED BY THE FOLLOWING COORDINATES:

##### AREA 1

1	14° 17' 18"N., 120° 36' 44"E.
2	14° 17' 15"N., 120° 37' 00"E.
3	14° 17' 15"N., 120° 37' 27"E.
4	14° 17' 46"N., 120° 38' 18"E.
5	14° 17' 46"N., 120° 38' 21"E.
6	14° 18' 14"N., 120° 38' 42"E.
7	14° 18' 45"N., 120° 38' 41"E.
8	14° 19' 10"N., 120° 38' 21"E.

##### AREA 2

1	14° 19' 34"N., 120° 38' 41"E.
2	14° 20' 07"N., 120° 40' 18"E.
3	14° 20' 36"N., 120° 40' 59"E.
4	14° 20' 48"N., 120° 41' 10"E.
5	14° 20' 50"N., 120° 44' 34"E.
6	14° 19' 34"N., 120° 43' 00"E.

ALL SHIPS/WATERCRAFTS TRANSITING THE VICINITY OF THE ABOVE-MENTIONED AREA ARE ADVISED TO TAKE NOTE OF THE INFORMATION AND TAKE NECESSARY PRECAUTIONARY MEASURES AT ALL TIMES.

CANCEL THIS NAVIGATIONAL WARNING ON 01 JANUARY 2023.

# IV

## NAVIGATIONAL WARNINGS

Date: 01 April 2022

Reference: PCG NTM 106 and 134 - 2022 (HD 102 and 131/22)

### MESSAGE

---

#### NAVPHIL 080/22 – LUZON W. COAST, MANILA BAY – DREDGING WORKS

BENLINE AGENCIES PHILIPPINES INC., UTILIZING VARIOUS VESSELS AND EQUIPMENT, IS CONDUCTING DREDGING OPERATIONS OFF THE SHORES OF BULACAN AND CAVITE UNTIL 12 SEPTEMBER 2022 WITHIN THE AREAS BOUNDED BY THE FOLLOWING COORDINATES:

POSITION	COORDINATES
<b>RECLAMATION AREA</b>	
1	14° 44' 35"N., 120° 49' 57"E.
2	14° 44' 46"N., 120° 50' 14"E.
3	14° 43' 09"N., 120° 51' 32"E.
4	14° 42' 49"N., 120° 53' 52"E.
5	14° 42' 28"N., 120° 53' 44"E.
6	14° 37' 22"N., 120° 45' 41"E.
7	14° 37' 34"N., 120° 45' 25"E.
8	14° 41' 28"N., 120° 47' 21"E.
9	14° 44' 03"N., 120° 49' 25"E.
10	14° 45' 03"N., 120° 48' 06"E.
<b>MINING AREA</b>	
1	14° 27' 09"N., 120° 43' 23"E.
2	14° 29' 06"N., 120° 52' 13"E.
3	14° 26' 52"N., 120° 51' 47"E.
4	14° 20' 38"N., 120° 45' 40"E.
5	14° 20' 47"N., 120° 43' 28"E.
6	14° 20' 47"N., 120° 41' 03"E.
7	14° 26' 42"N., 120° 46' 07"E.
8	14° 26' 39"N., 120° 43' 23"E.
<b>DISPOSAL AREA</b>	
1	14° 20' 00"N., 120° 00' 00"E.

ALL SHIPS/WATERCRAFTS TRANSITING THE VICINITY OF THE ABOVE-MENTIONED AREAS ARE ADVISED TO TAKE NOTE OF THE INFORMATION AND TAKE NECESSARY PRECAUTIONARY MEASURES AT ALL TIMES.

THIS CANCELS NAVPHIL 066/22.

CANCEL THIS NAVIGATIONAL WARNING ON 13 SEPTEMBER 2022.

# IV

## NAVIGATIONAL WARNINGS

Date: 01 April 2022

Reference: PCG NTM 137 - 2022 (HD 132/22)

### MESSAGE

---

**NAVPHIL 081/22 – LUZON W. COAST, MANILA BAY – DREDGING WORKS**

**BEN LINE AGENCIES PHILIPPINES INC., UTILIZING VARIOUS VESSELS AND EQUIPMENT, IS CONDUCTING DREDGING WORKS OFF THE SHORES OF TERNATE, CAVITE WITHIN THE AREA BOUNDED BY THE FOLLOWING COORDINATES:**

- |   |                               |
|---|-------------------------------|
| 1 | 14° 15' 18"N., 120° 34' 55"E. |
| 2 | 14° 16' 40"N., 120° 35' 40"E. |
| 3 | 14° 19' 07"N., 120° 37' 42"E. |
| 4 | 14° 21' 03"N., 120° 41' 39"E. |
| 5 | 14° 21' 03"N., 120° 43' 13"E. |
| 6 | 14° 19' 34"N., 120° 40' 43"E. |
| 7 | 14° 18' 47"N., 120° 38' 39"E. |
| 8 | 14° 14' 59"N., 120° 35' 31"E. |

**ALL SHIPS/WATERCRAFTS TRANSITING THE VICINITY OF THE ABOVE-MENTIONED AREAS ARE ADVISED TO TAKE NOTE OF THE INFORMATION AND TAKE NECESSARY PRECAUTIONARY MEASURES AT ALL TIMES.**

**CANCEL THIS NAVIGATIONAL WARNING ON 01 JANUARY 2024.**

# IV

## NAVIGATIONAL WARNINGS

Date: 01 April 2022

Reference: PCG NTM 135 - 2022 (HD 134/22)

### MESSAGE

---

#### NAVPHIL 083/22 – LUZON W. COAST, MANILA BAY – DRILLING WORKS

RDAS GEOTECH AND ENVIRONMENT SERVICES, UTILIZING BARGE “ABUCAY” AND MTUG “JULIANNE MAE”, IS CONDUCTING DRILLING WORKS FROM 01 APRIL TO 30 SEPTEMBER 2022 OFF THE SHORES OF TERNATE, CAVITE OR WITHIN THE AREA BOUNDED BY THE FOLLOWING COORDINATES:

1	14° 20' 45"N., 120° 42' 36"E.
2	14° 20' 34"N., 120° 41' 30"E.
3	14° 20' 16"N., 120° 40' 39"E.
4	14° 19' 30"N., 120° 39' 01"E.
5	14° 18' 35"N., 120° 37' 29"E.
6	14° 16' 43"N., 120° 36' 01"E.
7	14° 15' 16"N., 120° 35' 11"E.
8	14° 15' 35"N., 120° 35' 53"E.
9	14° 17' 14"N., 120° 37' 14"E.

ALL SHIPS/WATERCRAFTS TRANSITING THE VICINITY OF THE ABOVE-MENTIONED AREAS ARE ADVISED TO TAKE NOTE OF THE INFORMATION AND TAKE NECESSARY PRECAUTIONARY MEASURES AT ALL TIMES.

CANCEL THIS NAVIGATIONAL WARNING ON 01 OCTOBER 2022.

## **IV NAVIGATIONAL WARNINGS**

Date: 04 April 2022

Reference: PCG NTM 141, 142 & 143 - 2022 (HD 137, 138 & 139/22)

### **MESSAGE**

---

#### **NAVPHIL 086/22 – LUZON W. COAST, MANILA BAY – DREDGING WORKS**

**BEN LINE AGENCIES PHILIPPINES INC., UTILIZING VARIOUS VESSELS AND EQUIPMENT, IS CONDUCTING DREDGING WORKS UNTIL 20 SEPTEMBER 2022 OFF THE SHORES OF MANILA AND PASAY WITHIN THE AREAS BOUNDED BY THE FOLLOWING COORDINATES:**

- |          |                                      |
|----------|--------------------------------------|
| <b>1</b> | <b>14° 31' 58"N., 120° 53' 40"E.</b> |
| <b>2</b> | <b>14° 33' 34"N., 120° 56' 56"E.</b> |
| <b>3</b> | <b>14° 33' 33"N., 120° 58' 08"E.</b> |
| <b>4</b> | <b>14° 33' 04"N., 120° 58' 09"E.</b> |
| <b>5</b> | <b>14° 32' 08"N., 120° 56' 10"E.</b> |

**ALL SHIPS/WATERCRAFTS TRANSITING THE VICINITY OF THE ABOVE-MENTIONED AREAS ARE ADVISED TO TAKE NOTE OF THE INFORMATION AND TAKE NECESSARY PRECAUTIONARY MEASURES AT ALL TIMES.**

**CANCEL THIS NAVIGATIONAL WARNING ON 21 SEPTEMBER 2022.**

## **IV NAVIGATIONAL WARNINGS**

Date: 13 April 2022

Reference: PCG NTM 164-2022 (HD 161/22)

### MESSAGE

---

**NAVPHIL 096/22 – LUZON W. COAST, MANILA BAY – DREDGING WORKS**

**BEN LINE AGENCIES PHILIPPINES, INC., UTILIZING BARGE “DN 116”, IS CONDUCTING DREDGING WORKS OFF PASAY CITY UNTIL 04 OCTOBER 2022 IN THE AREA BOUNDED BY THE FOLLOWING COORDINATES:**

<b>A</b>	<b>14° 31' 58"N., 120° 53' 40"E.</b>
<b>B</b>	<b>14° 33' 34"N., 120° 56' 56"E.</b>
<b>C</b>	<b>14° 33' 33"N., 120° 58' 08"E.</b>
<b>D</b>	<b>14° 33' 04"N., 120° 58' 09"E.</b>
<b>E</b>	<b>14° 32' 08"N., 120° 56' 10"E.</b>

**ALL SHIPS/WATERCRAFTS TRANSITING THE VICINITY OF THE ABOVE-MENTIONED AREA ARE ADVISED TO TAKE NOTE OF THE INFORMATION AND TAKE NECESSARY PRECAUTIONARY MEASURES AT ALL TIMES.**

**CANCEL THIS NAVIGATIONAL WARNING ON 05 OCTOBER 2022.**



# IV

## NAVIGATIONAL WARNINGS

Date: 13 April 2022

Reference: PCG NTM 167-2022 (HD 165/22)

### MESSAGE

---

#### NAVPHIL 099/22 – LUZON W. COAST, MANILA BAY – DREDGING WORKS

CHINA HARBOUR ENGINEERING COMPANY, UTILIZING “LONGXIANG 8”, “JIANGHAI 22”, “YUE HANG FENG 038” AND “YI HANG JUN 1068”, IS CONDUCTING DREDGING AND RECLAMATION WORKS OFF THE COAST OF PASAY CITY UNTIL 31 DECEMBER 2022 IN THE AREA BOUNDED BY THE FOLLOWING COORDINATES:

1	14° 33' 33"N., 120° 58' 38"E.
2	14° 33' 25"N., 120° 58' 10"E.
3	14° 32' 02"N., 120° 54' 12"E.
4	14° 31' 40"N., 120° 54' 12"E.
5	14° 31' 34"N., 120° 57' 35"E.
6	14° 31' 37"N., 120° 58' 45"E.

ALL SHIPS/WATERCRAFTS TRANSITING THE VICINITY OF THE ABOVE-MENTIONED AREA ARE ADVISED TO TAKE NOTE OF THE INFORMATION AND TAKE NECESSARY PRECAUTIONARY MEASURES AT ALL TIMES.

CANCEL THIS NAVIGATIONAL WARNING ON 01 JANUARY 2023.

# IV

## NAVIGATIONAL WARNINGS

Date: 22 April 2022

Reference: PCG NTM 173 & 178-2022 (HD 172 & 174/22)

### MESSAGE

---

#### NAVPHIL 106/22 – LUZON W. COAST, LUZON SEA & MANILA BAY – DREDGING AND RECLAMATION WORKS

CHINA HARBOUR ENGINEERING COMPANY, UTILIZING SAND CARRIER “HONG HAI 189”, IS CONDUCTING OFFSHORE SAND EXTRACTION OPERATIONS OFF BOTOLAN AND SAN FELIPE, ZAMBALES. THE EXTRACTED MATERIALS ARE PLACED IN THE RECLAMATION AREA OFF PASAY CITY. THE ACTIVITIES ARE BEING CONDUCTED UNTIL 30 DECEMBER 2022 WITHIN THE AREAS BOUNDED BY THE FOLLOWING COORDINATES:

##### BOTOLAN AREA

- |   |                               |
|---|-------------------------------|
| 1 | 15° 16' 00"N., 120° 00' 39"E. |
| 2 | 15° 16' 00"N., 120° 00' 55"E. |
| 3 | 15° 15' 51"N., 120° 00' 57"E. |
| 4 | 15° 15' 42"N., 120° 00' 56"E. |
| 5 | 15° 15' 31"N., 120° 00' 51"E. |
| 6 | 15° 15' 31"N., 120° 00' 39"E. |

##### SAN FELIPE AREA

- |    |                               |
|----|-------------------------------|
| 1  | 15° 03' 48"N., 120° 02' 34"E. |
| 2  | 15° 03' 57"N., 120° 03' 21"E. |
| 3  | 15° 04' 24"N., 120° 03' 20"E. |
| 4  | 15° 04' 57"N., 120° 03' 15"E. |
| 5  | 15° 05' 58"N., 120° 03' 02"E. |
| 6  | 15° 06' 16"N., 120° 03' 13"E. |
| 7  | 15° 06' 18"N., 120° 03' 08"E. |
| 8  | 15° 06' 07"N., 120° 03' 01"E. |
| 9  | 15° 06' 32"N., 120° 02' 48"E. |
| 10 | 15° 06' 43"N., 120° 02' 18"E. |
| 11 | 15° 06' 07"N., 120° 02' 10"E. |
| 12 | 15° 04' 07"N., 120° 02' 31"E. |

## **IV NAVIGATIONAL WARNINGS**

### **MANILA BAY AREA (RECLAMATION)**

<b>1</b>	<b>14° 33' 33"N., 120° 58' 38"E.</b>
<b>2</b>	<b>14° 33' 25"N., 120° 58' 10"E.</b>
<b>3</b>	<b>14° 32' 02"N., 120° 54' 12"E.</b>
<b>4</b>	<b>14° 31' 40"N., 120° 54' 12"E.</b>
<b>5</b>	<b>14° 31' 34"N., 120° 57' 34"E.</b>
<b>6</b>	<b>14° 31' 37"N., 120° 58' 45"E.</b>

**ALL SHIPS/WATERCRAFTS TRANSITING THE VICINITY OF THE ABOVE-MENTIONED AREAS ARE ADVISED TO TAKE NOTE OF THE INFORMATION AND TAKE NECESSARY PRECAUTIONARY MEASURES AT ALL TIMES.**

**THIS CANCELS NAVPHIL 103/22.**

**CANCEL THIS NAVIGATIONAL WARNING ON 31 DECEMBER 2022.**

# IV

## NAVIGATIONAL WARNINGS

Date: 11 May 2022

Reference: PCG NTM 203 - 2022 (HD 208/22)

### MESSAGE

---

#### NAVPHIL 127/22 – LUZON W. COAST, LUZON SEA – DREDGING WORKS

CHINA HARBOUR ENGINEERING COMPANY, UTILIZING “TSHD JUN YANG 1”, IS CONDUCTING OFFSHORE SAND EXTRACTION OPERATIONS UNTIL 02 NOVEMBER 2022 OFF THE SHORES OF BOTOLAN AND SAN FELIPE, ZAMBALES WITHIN THE AREAS BOUNDED BY THE FOLLOWING COORDINATES:

#### BOTOLAN AREA

1	15° 16' 00"N., 120° 00' 39"E.
2	15° 16' 00"N., 120° 00' 55"E.
3	15° 15' 51"N., 120° 00' 57"E.
4	15° 15' 42"N., 120° 00' 56"E.
5	15° 15' 31"N., 120° 00' 51"E.
6	15° 15' 31"N., 120° 00' 39"E.

#### SAN FELIPE AREA

1	15° 03' 48"N., 120° 02' 34"E.
2	15° 03' 57"N., 120° 03' 21"E.
3	15° 04' 24"N., 120° 03' 20"E.
4	15° 04' 57"N., 120° 03' 15"E.
5	15° 05' 58"N., 120° 03' 02"E.
6	15° 06' 16"N., 120° 03' 13"E.
7	15° 06' 18"N., 120° 03' 08"E.
8	15° 06' 07"N., 120° 03' 01"E.
9	15° 06' 32"N., 120° 02' 48"E.
10	15° 06' 43"N., 120° 02' 18"E.
11	15° 06' 07"N., 120° 02' 10"E.
12	15° 04' 07"N., 120° 02' 31"E.

ALL SHIPS/WATERCRAFTS TRANSITING THE VICINITY OF THE ABOVE-MENTIONED AREAS ARE ADVISED TO TAKE NOTE OF THE INFORMATION AND TAKE NECESSARY PRECAUTIONARY MEASURES AT ALL TIMES.

CANCEL THIS NAVIGATIONAL WARNING ON 03 NOVEMBER 2022.

**IV**  
**NAVIGATIONAL WARNINGS**

Date: 11 May 2022

Reference: PCG NTM 205 - 2022 (HD 211/22)

**MESSAGE**

---

**NAVPHIL 130/22 – LUZON W. COAST, MANILA BAY – RESTRICTED AREA**

**SAN MIGUEL AEROCITY INC., (SMAI) ESTABLISHED A RESTRICTED AREA OFF THE SHORES OF BULACAN IN CONNECTION WITH THEIR RECLAMATION ACTIVITIES UNTIL 31 DECEMBER 2022 WITHIN THE AREA BOUNDED BY THE FOLLOWING COORDINATES:**

<b>POSITION</b>	<b>COORDINATES</b>
1	14° 44' 46"N., 120° 50' 14"E.
2	14° 42' 51"N., 120° 52' 41"E.
3	14° 42' 49"N., 120° 53' 52"E.
4	14° 42' 29"N., 120° 53' 44"E.
5	14° 39' 11"N., 120° 48' 43"E.
6	14° 37' 22"N., 120° 45' 41"E.
7	14° 37' 34"N., 120° 45' 25"E.
8	14° 39' 21"N., 120° 45' 30"E.
9	14° 40' 08"N., 120° 42' 54"E.
10	14° 41' 28"N., 120° 47' 21"E.
11	14° 44' 12"N., 120° 49' 32"E.
12	14° 44' 39"N., 120° 49' 54"E.

**ALL SHIPS/WATERCRAFTS TRANSITING THE VICINITY OF THE ABOVE- MENTIONED AREA ARE ADVISED TO TAKE NOTE OF THE INFORMATION AND TAKE NECESSARY PRECAUTIONARY MEASURES AT ALL TIMES.**

**CANCEL THIS NAVIGATIONAL WARNING ON 01 JANUARY 2023.**

# IV

## NAVIGATIONAL WARNINGS

Date: 13 May 2022

Reference: PCG NTM 209 – 2022 (HD 214/22)

### MESSAGE

#### NAVPHIL 133/22 – LUZON W. COAST, MANILA BAY – OFFSHORE WORKS

BENLINE AGENCIES PHILIPPINES INC., UTILIZING TRAILING SUCTION HOPPER DREDGER “CRISTOBAL COLON”, IS CONDUCTING DREDGING AND RECLAMATION OPERATIONS OFF THE SHORES OF BULACAN AND CAVITE UNTIL 02 OCTOBER 2022 WITHIN THE AREAS BOUNDED BY THE FOLLOWING COORDINATES:

POSITION	COORDINATES
<b>RECLAMATION AREA</b>	
1	14° 44' 35"N., 120° 49' 57"E.
2	14° 44' 46"N., 120° 50' 14"E.
3	14° 43' 09"N., 120° 51' 32"E.
4	14° 42' 49"N., 120° 53' 52"E.
5	14° 42' 28"N., 120° 53' 44"E.
6	14° 37' 22"N., 120° 45' 41"E.
7	14° 37' 34"N., 120° 45' 25"E.
8	14° 41' 28"N., 120° 47' 21"E.
9	14° 44' 03"N., 120° 49' 25"E.
10	14° 45' 03"N., 120° 48' 06"E.
<b>MINING AREA</b>	
1	14° 27' 09"N., 120° 43' 23"E.
2	14° 29' 06"N., 120° 52' 13"E.
3	14° 26' 52"N., 120° 51' 47"E.
4	14° 20' 38"N., 120° 45' 40"E.
5	14° 20' 47"N., 120° 43' 28"E.
6	14° 20' 46"N., 120° 41' 03"E.
7	14° 26' 42"N., 120° 46' 07"E.
8	14° 26' 39"N., 120° 43' 23"E.
<b>DISPOSAL AREA</b>	
2	14° 20' 00"N., 120° 00' 00"E.

ALL SHIPS/WATERCRAFTS TRANSITING THE VICINITY OF THE ABOVE-MENTIONED AREAS ARE ADVISED TO TAKE NOTE OF THE INFORMATION AND TAKE NECESSARY PRECAUTIONARY MEASURES AT ALL TIMES.

CANCEL THIS NAVIGATIONAL WARNING ON 03 OCTOBER 2022.

# IV

## NAVIGATIONAL WARNINGS

Date: 17 May 2022

Reference: PCG NTM 229 - 2022 (HD 225/22)

### MESSAGE

---

#### NAVPHIL 140/22 – PHILIPPINE WATERS – DREDGING WORKS

CHINA HARBOUR ENGINEERING COMPANY, UTILIZING *MULTIPLE VESSELS*, IS CONDUCTING DREDGING AND RECLAMATION ACTIVITY UNTIL 21 OCTOBER 2022 OFF THE SHORES OF BOTOLAN AND SAN FELIFE PROVINCE OF ZAMBALES AND MANILA BAY OR WITHIN THE AREAS BOUNDED BY THE FOLLOWING COORDINATES:

#### MANILA BAY AREA

- 1 14° 33' 33"N., 120° 58' 38"E.
- 2 14° 33' 25"N., 120° 58' 10"E.
- 3 14° 32' 02"N., 120° 54' 12"E.
- 4 14° 31' 40"N., 120° 54' 12"E.
- 5 14° 31' 34"N., 120° 57' 35"E.
- 6 14° 31' 37"N., 120° 58' 45"E.

#### BOTOLAN AREA

- 1 15° 16' 00"N., 120° 00' 39"E.
- 2 15° 16' 00"N., 120° 00' 55"E.
- 3 15° 15' 51"N., 120° 00' 57"E.
- 4 15° 15' 42"N., 120° 00' 56"E.
- 5 15° 15' 31"N., 120° 00' 51"E.
- 6 15° 15' 31"N., 120° 00' 39"E.

#### SAN FELIPE AREA

- 1 15° 03' 48"N., 120° 02' 34"E.
- 2 15° 03' 57"N., 120° 03' 21"E.
- 3 15° 04' 24"N., 120° 03' 20"E.
- 4 15° 04' 57"N., 120° 03' 15"E.
- 5 15° 05' 58"N., 120° 03' 02"E.
- 6 15° 06' 16"N., 120° 03' 13"E.
- 7 15° 06' 18"N., 120° 03' 08"E.
- 8 15° 06' 07"N., 120° 03' 01"E.
- 9 15° 06' 32"N., 120° 02' 48"E.
- 10 15° 06' 43"N., 120° 02' 18"E.
- 11 15° 06' 07"N., 120° 02' 10"E.
- 12 15° 04' 07"N., 120° 02' 31"E.

ALL SHIPS/WATERCRAFTS TRANSITING THE VICINITY OF THE ABOVE-MENTIONED AREAS ARE ADVISED TO TAKE NOTE OF THE INFORMATION AND TAKE NECESSARY PRECAUTIONARY MEASURES AT ALL TIMES.

CANCEL THIS NAVIGATIONAL WARNING ON 22 OCTOBER 2022.

# IV

## NAVIGATIONAL WARNINGS

Date: 17 May 2022

Reference: PCG NTM 230-2022 (HD 226/22)

---

### MESSAGE

---

#### NAVPHIL 141/22 – LUZON W. COAST, MANILA BAY – SURVEY WORKS

CHINA HARBOR ENGINEERING COMPANY (CHEC), UTILIZING “*MB TRISHA NICOLE*” AND “*MB KRISTEL*”, IS CONDUCTING BATHYMETRIC SURVEY FROM 18 MAY TO 31 DECEMBER 2022 OFF THE COAST OF TERNATE AND NAIC, CAVITE WITHIN THE AREA BOUNDED BY THE FOLLOWING COORDINATES:

POSITION	COORDINATES
A	14° 19' 12"N., 120° 39' 46"E.
B	14° 21' 03"N., 120° 43' 13"E.
C	14° 20' 58"N., 120° 44' 43"E.
D	14° 17' 57"N., 120° 41' 15"E.

ALL SHIPS/WATERCRAFTS TRANSITING THE VICINITY OF THE ABOVE-MENTIONED AREAS ARE ADVISED TO TAKE NOTE OF THE INFORMATION AND TAKE NECESSARY PRECAUTIONARY MEASURES AT ALL TIMES.

CANCEL THIS NAVIGATIONAL WARNING ON 01 JANUARY 2023.



# IV

## NAVIGATIONAL WARNINGS

Date: 02 June 2022

Reference: PCG NTM 257 - 2022 (HD 251/22)

### MESSAGE

NAVPHIL 161/22 – LUZON W. COAST, MANILA BAY – OFFSHORE WORKS

BENLINE AGENCIES PHILIPPINES INC., UTILIZING MULTI-PURPOSE VESSEL “*SIDI*”, IS CONDUCTING DREDGING OPERATIONS OFF THE SHORES OF BULACAN AND CAVITE UNTIL 25 NOVEMBER 2022 WITHIN THE AREAS BOUNDED BY THE FOLLOWING COORDINATES:

POSITION	COORDINATES
<b>RECLAMATION AREA</b>	
1	14° 44' 35"N., 120° 49' 57"E.
2	14° 44' 46"N., 120° 50' 14"E.
3	14° 43' 09"N., 120° 51' 32"E.
4	14° 42' 49"N., 120° 53' 52"E.
5	14° 42' 28"N., 120° 53' 44"E.
6	14° 37' 22"N., 120° 45' 41"E.
7	14° 37' 34"N., 120° 45' 25"E.
8	14° 41' 28"N., 120° 47' 21"E.
9	14° 44' 03"N., 120° 49' 25"E.
10	14° 45' 03"N., 120° 48' 06"E.
<b>MINING AREA</b>	
1	14° 27' 09"N., 120° 43' 23"E.
2	14° 29' 06"N., 120° 52' 13"E.
3	14° 26' 52"N., 120° 51' 47"E.
4	14° 20' 38"N., 120° 45' 40"E.
5	14° 20' 47"N., 120° 43' 28"E.
6	14° 20' 46"N., 120° 41' 03"E.
7	14° 26' 42"N., 120° 46' 07"E.
8	14° 26' 39"N., 120° 43' 23"E.
<b>DISPOSAL AREA</b>	
1	14° 20' 00"N., 120° 00' 00"E.

ALL SHIPS/WATERCRAFTS TRANSITING THE VICINITY OF THE ABOVE-MENTIONED AREAS ARE ADVISED TO TAKE NOTE OF THE INFORMATION AND TAKE NECESSARY PRECAUTIONARY MEASURES AT ALL TIMES.

CANCEL THIS NAVIGATIONAL WARNING ON 26 NOVEMBER 2022.

# IV

## NAVIGATIONAL WARNINGS

Date: 06 June 2022

Reference: PCG NTM 262 – 2022 (HD 256/21)

### MESSAGE

---

**NAVPHIL 164/22 – LUZON, W. COAST, MANILA BAY – GEOTECHNICAL INVESTIGATION**

**SOL-ROCHE GEOTECHNICAL CONSULTATION CORP., UTILIZING “MTUG LEILANI” AND “BARGE NEO G-1”, IS CONDUCTING GEOTECHNICAL INVESTIGATION UNTIL 30 SEPTEMBER 2022 OFF THE SHORES OF BACOR, CAVITE WITHIN THE AREA BOUNDED BY THE FOLLOWING COORDINATES:**

POSITION	COORDINATES
A	14° 28' 39"N., 120° 56' 09"E.
B	14° 28' 40"N., 120° 56' 38"E.
C	14° 27' 58"N., 120° 56' 58"E.
D	14° 27' 53"N., 120° 56' 20"E.

**ALL SHIPS/WATERCRAFTS TRANSITING THE VICINITY OF THE ABOVE- MENTIONED AREA ARE ADVISED TO TAKE NOTE OF THE INFORMATION AND TAKE NECESSARY PRECAUTIONARY MEASURES AT ALL TIMES.**

**CANCEL THIS NAVIGATIONAL WARNING ON 01 OCTOBER 2022.**

# IV

## NAVIGATIONAL WARNINGS

Date: 10 June 2022

Reference: PCG NTM 274 - 2022 (HD 267/22)

### MESSAGE

---

#### NAVPHIL 171/22 – LUZON W. COAST, MANILA BAY – SURVEY WORKS

CHINA HARBOR ENGINEERING COMPANY, UTILIZING VESSEL “*MB ST. ANTHONY EXPRESS*”, IS CONDUCTING BATHYMETRIC AND SEISMIC SURVEY UNTIL 31 DECEMBER 2022 OFF THE SHORES OF NAIC AND TERNATE, CAVITE WITHIN THE AREA BOUNDED BY THE FOLLOWING COORDINATES:

- |   |                               |
|---|-------------------------------|
| 1 | 14° 18' 01"N., 120° 40' 32"E. |
| 2 | 14° 19' 14"N., 120° 39' 51"E. |
| 3 | 14° 21' 03"N., 120° 43' 13"E. |
| 4 | 14° 20' 58"N., 120° 44' 43"E. |
| 5 | 14° 17' 57"N., 120° 41' 15"E. |

ALL SHIPS/WATERCRAFTS TRANSITING THE VICINITY OF THE ABOVE- MENTIONED AREAS ARE ADVISED TO TAKE NOTE OF THE INFORMATION AND TAKE NECESSARY PRECAUTIONARY MEASURES AT ALL TIMES.

CANCEL THIS NAVIGATIONAL WARNING ON 01 JANUARY 2023.

# IV

## NAVIGATIONAL WARNINGS

Date: 10 June 2022

Reference: PCG NTM 272-2022 (HD 269/22)

### MESSAGE

---

#### NAVPHIL 172/22 – LUZON, W. COAST, MANILA BAY – DREDGING WORKS

SAN MIGUEL AEROCITY, INC., UTILIZING VARIOUS FOREIGN AND LOCAL VESSELS, IS CONDUCTING DREDGING WORKS AT SAN NICOLAS SHOAL UNTIL DECEMBER 2024 WITHIN THE AREA WITH THE FOLLOWING DETAILS:

- |   |                               |
|---|-------------------------------|
| 1 | 14° 26' 54"N., 120° 46' 48"E. |
| 2 | 14° 26' 54"N., 120° 48' 42"E. |
| 3 | 14° 26' 08"N., 120° 49' 23"E. |
| 4 | 14° 20' 58"N., 120° 43' 34"E. |
| 5 | 14° 20' 57"N., 120° 41' 44"E. |

ALL SHIPS/WATERCRAFTS TRANSITING THE VICINITY OF THE ABOVE- MENTIONED AREA ARE ADVISED TO TAKE NOTE OF THE INFORMATION AND TAKE NECESSARY PRECAUTIONARY MEASURES AT ALL TIMES.

CANCEL THIS NAVIGATIONAL WARNING ON 01 JANUARY 2025.

# IV

## NAVIGATIONAL WARNINGS

Date: 15 June 2022

Reference: PCG NTM 289-2022 (HD 273/22)

### MESSAGE

---

#### NAVPHIL 175/22 – LUZON, W. COAST, MANILA BAY – RECLAMATION WORKS

CHINA HARBOUR ENGINEERING COMPANY, UTILIZING THE VESSEL "PU SHA 1", IS CONDUCTING DREDGING AND RECLAMATION WORKS UNTIL 28 OCTOBER 2022 OFF THE SHORE OF PASAY CITY WITHIN THE AREA BOUNDED BY THE FOLLOWING COORDINATES:

1	14° 33' 33"N., 120° 58' 38"E.
2	14° 32' 02"N., 120° 54' 12"E.
3	14° 31' 40"N., 120° 54' 12"E.
4	14° 31' 34"N., 120° 57' 35"E.
5	14° 31' 37"N., 120° 58' 45"E.

ALL SHIPS/WATERCRAFTS TRANSITING THE VICINITY OF THE ABOVE- MENTIONED AREA ARE ADVISED TO TAKE NOTE OF THE INFORMATION AND TAKE NECESSARY PRECAUTIONARY MEASURES AT ALL TIMES.

CANCEL THIS NAVIGATIONAL WARNING ON 29 OCTOBER 2022.

# IV

## NAVIGATIONAL WARNINGS

Date: 16 June 2022

Reference: PCG NTM 280 - 2022 (HD 274/22)

### MESSAGE

---

#### NAVPHIL 176/22 – LUZON W. COAST, MANILA BAY – DREDGING WORKS

**BEN LINE AGENCIES PHILIPPINES, INC., UTILIZING “BKM 102”, IS CONDUCTING DREDGING WORKS AT MANILA BAY UNTIL 04 DECEMBER 2022 OFF THE SHORES OF CITIES OF MANILA AND PASAY WITHIN THE AREA BOUNDED BY THE FOLLOWING COORDINATES:**

- |   |                               |
|---|-------------------------------|
| 1 | 14° 34' 42"N., 120° 57' 45"E. |
| 2 | 14° 33' 27"N., 120° 58' 46"E. |
| 3 | 14° 31' 38"N., 120° 56' 30"E. |
| 4 | 14° 32' 24"N., 120° 54' 22"E. |

**ALL SHIPS/WATERCRAFTS TRANSITING THE VICINITY OF THE ABOVE- MENTIONED AREAS ARE ADVISED TO TAKE NOTE OF THE INFORMATION AND TAKE NECESSARY PRECAUTIONARY MEASURES AT ALL TIMES.**

**CANCEL THIS NAVIGATIONAL WARNING ON 05 DECEMBER 2022.**

**IV**  
**NAVIGATIONAL WARNINGS**

Date: 21 June 2022

Reference: PCG NTM 300-2022 (HD 283/22)

**MESSAGE**

---

**NAVPHIL 180/22 – LUZON W. COAST, MANILA BAY – DREDGING AND RECLAMATION**

**BEN LINE AGENCIES PHILIPPINES INC., UTILIZING “MV NOVA”, IS CONDUCTING DREDGING AND LAND RECLAMATION WORKS OFF PASAY CITY UNTIL 15 SEPTEMBER 2022 IN THE AREA BOUNDED BY THE FOLLOWING COORDINATES:**

<b>A</b>	<b>14° 31' 58"N., 120° 53' 40"E.</b>
<b>B</b>	<b>14° 33' 34"N., 120° 56' 56"E.</b>
<b>C</b>	<b>14° 33' 33"N., 120° 58' 08"E.</b>
<b>D</b>	<b>14° 33' 04"N., 120° 58' 09"E.</b>
<b>E</b>	<b>14° 32' 08"N., 120° 56' 10"E.</b>

**ALL SHIPS/WATERCRAFTS TRANSITING THE VICINITY OF THE ABOVEMENTIONED AREA ARE ADVISED TO TAKE NOTE OF THE INFORMATION AND TAKE NECESSARY PRECAUTIONARY MEASURES AT ALL TIMES.**

**CANCEL THIS NAVIGATIONAL WARNING ON 16 SEPTEMBER 2022.**

# IV

## NAVIGATIONAL WARNINGS

Date: 22 June 2022

Reference: PCG NTM 286 - 2022 (HD 281/22)

### MESSAGE

#### NAVPHIL 183/22 – LUZON SEA AND MANILA BAY – DREDGING AND RECLAMATION

BENLINE AGENCIES PHILIPPINES INC., UTILIZING VESSEL “TSD QUEEN OF THE NETHERLANDS”, IS CONDUCTING DREDGING AND RECLAMATION UNTIL 07 DECEMBER 2022 WITHIN THE AREAS BOUNDED BY THE FOLLOWING COORDINATES:

#### POSITION COORDINATES

##### RECLAMATION AREA

- 1 14° 44' 46"N., 120° 50' 14"E.
- 2 14° 42' 49"N., 120° 53' 52"E.
- 3 14° 42' 28"N., 120° 53' 44"E.
- 4 14° 37' 22"N., 120° 45' 41"E.
- 5 14° 37' 34"N., 120° 45' 25"E.
- 6 14° 45' 03"N., 120° 48' 06"E.

##### SAND MINING AREA

- 1 14° 27' 09"N., 120° 43' 23"E.
- 2 14° 29' 06"N., 120° 52' 13"E.
- 3 14° 26' 52"N., 120° 51' 47"E.
- 4 14° 20' 38"N., 120° 45' 40"E.
- 5 14° 20' 47"N., 120° 43' 28"E.
- 6 14° 20' 46"N., 120° 41' 03"E.
- 7 14° 26' 42"N., 120° 46' 07"E.
- 8 14° 26' 39"N., 120° 43' 23"E.

##### DISPOSAL AREA

- 1 14° 19' 38"N., 120° 00' 23"E.
- 2 14° 19' 36"N., 119° 59' 40"E.
- 3 14° 20' 12"N., 119° 59' 44"E.
- 4 14° 20' 13"N., 120° 00' 31"E.

ALL SHIPS/WATERCRAFTS TRANSITING THE VICINITY OF THE ABOVE- MENTIONED AREAS ARE ADVISED TO TAKE NOTE OF THE INFORMATION AND TAKE NECESSARY PRECAUTIONARY MEASURES AT ALL TIMES.

CANCEL THIS NAVIGATIONAL WARNING ON 08 DECEMBER 2022.



# IV

## NAVIGATIONAL WARNINGS

Date: 23 June 2022

Reference: PCG NTM 307-2022 (HD 293/22)

### MESSAGE

---

**NAVPHIL 188/22 – LUZON W. COAST, MANILA BAY – BOREHOLE DRILLING**

**CHINA HARBOUR ENGINEERING COMPANY, UTILIZING “MTUG MARIVELES” AND “BARGE GABRIELA”, IS CONDUCTING OFFSHORE BOREHOLE DRILLING AT VICINITY WATERS OFF TERNATE AND NAIC IN CAVITE UNTIL 31 DECEMBER 2022 IN THE AREA BOUNDED BY THE FOLLOWING COORDINATES:**

<b>A</b>	<b>14° 19' 06"N., 120° 39' 25"E.</b>
<b>B</b>	<b>14° 22' 16"N., 120° 44' 04"E.</b>
<b>C</b>	<b>14° 20' 54"N., 120° 45' 17"E.</b>
<b>D</b>	<b>14° 17' 12"N., 120° 40' 44"E.</b>

**ALL SHIPS/WATERCRAFTS TRANSITING THE VICINITY OF THE ABOVE- MENTIONED AREA ARE ADVISED TO TAKE NOTE OF THE INFORMATION AND TAKE NECESSARY PRECAUTIONARY MEASURES AT ALL TIMES.**

**CANCEL THIS NAVIGATIONAL WARNING ON 01 JANUARY 2023.**

# IV

## NAVIGATIONAL WARNINGS

Date: 28 June 2022

Reference: PCG NTM 318-2022 (HD 300/22)

### MESSAGE

---

#### NAVPHIL 194/22 – MINDORO, N. AND W. COASTS – DRILLING WORKS

TCSC CORP., IS CONDUCTING DRILLING WORKS OFF THE SHORE OF OCCIDENTAL MINDORO UNTIL 30 SEPTEMBER 2022 IN THE AREAS BOUNDED BY THE FOLLOWING COORDINATES:

##### WAWA AREA

- 1 13° 29' 00"N., 120° 43' 00"E.
- 2 13° 29' 30"N., 120° 43' 00"E.
- 3 13° 29' 30"N., 120° 45' 00"E.
- 4 13° 29' 00"N., 120° 47' 00"E.
- 5 13° 28' 30"N., 120° 47' 00"E.
- 6 13° 28' 30"N., 120° 44' 30"E.

##### BALAGNAM AREA

- 1 13° 31' 00"N., 120° 33' 00"E.
- 2 13° 32' 00"N., 120° 33' 00"E.
- 3 13° 32' 00"N., 120° 35' 00"E.
- 4 13° 31' 00"N., 120° 39' 00"E.
- 5 13° 30' 00"N., 120° 39' 00"E.
- 6 13° 30' 00"N., 120° 37' 00"E.

##### MASLUD AREA

- 1 13° 18' 00"N., 120° 27' 30"E.
- 2 13° 21' 00"N., 120° 26' 30"E.
- 3 13° 24' 00"N., 120° 26' 30"E.
- 4 13° 24' 00"N., 120° 27' 30"E.
- 5 13° 20' 00"N., 120° 28' 30"E.
- 6 13° 18' 00"N., 120° 28' 30"E.

##### TALABAAN AREA

- 1 13° 05' 00"N., 120° 41' 30"E.
- 2 13° 08' 30"N., 120° 39' 00"E.
- 3 13° 10' 00"N., 120° 39' 00"E.
- 4 13° 10' 00"N., 120° 39' 30"E.
- 5 13° 06' 00"N., 120° 42' 00"E.
- 6 13° 05' 00"N., 120° 42' 00"E.

ALL SHIPS/WATERCRAFTS TRANSITING THE VICINITY OF THE ABOVE- MENTIONED AREAS ARE ADVISED TO TAKE NOTE OF THE INFORMATION AND TAKE NECESSARY PRECAUTIONARY MEASURES AT ALL TIMES.

CANCEL THIS NAVIGATIONAL WARNING ON 01 OCTOBER 2023.

**IV**  
**NAVIGATIONAL WARNINGS**

Date: 01 July 2022

Reference: PCG NTM 320-2022 (HD 302/22)

**MESSAGE**

**NAVPHIL 196/22 – PHILIPPINE WATERS – CABLE REPAIR**

**PTC SHIPMANAGEMENT INC., UTILIZING MV “CS VEGA”, WILL CONDUCT SUBMARINE CABLE REPAIR FROM 01 JULY TO 31 OCTOBER 2022 ALONG THE ROUTES WITH THE FOLLOWING DETAILS:**

<b>SEGMENT</b>	<b>START</b>	<b>END</b>
115b	13° 08.1023'N., 123° 45.8000'E	13° 02.3821'N., 124° 02.4260'E
216b	12° 40.4052'N., 123° 52.2944'E	12° 17.8832'N., 124° 20.8841'E
317b	13° 54.1320'N., 121° 37.0045'E	13° 36.0647'N., 122° 13.6766'E
418b	13° 37.4359'N., 122° 31.2085'E	13° 30.9746'N., 123° 00.8876'E
519b	13° 30.9422'N., 123° 00.9845'E	13° 08.1732'N., 123° 01.2353'E
619b	13° 08.1732'N., 123° 01.2353'E	13° 11.6424'N., 123° 19.5940'E
720b	14° 02.4527'N., 120° 37.3819'E	13° 43.2660'N., 120° 15.0510'E
820b	13° 43.2660'N., 120° 15.0510'E	13° 27.7669'N., 120° 45.5564'E
921b	12° 19.2729'N., 121° 20.4853'E	12° 00.4870'N., 121° 24.8090'E
1021c	12° 00.4870'N., 121° 24.8090'E	11° 54.0596'N., 121° 54.5854'E

**ALL SHIPS/WATERCRAFTS TRANSITING THE VICINITY OF THE ABOVE- MENTIONED AREA ARE ADVISED TO TAKE NOTE OF THE INFORMATION AND TAKE NECESSARY PRECAUTIONARY MEASURES AT ALL TIMES.**

**CANCEL THIS NAVIGATIONAL WARNING ON 01 NOVEMBER 2022.**

**IV**  
**NAVIGATIONAL WARNINGS**

Date: 01 July 2022

Reference: PCG NTM 322-2022 (HD 303/22)

**MESSAGE**

---

**NAVPHIL 197/22 – LUZON W. COAST, MANILA BAY – DREDGING AND RECLAMATION**

**BEN LINE AGENCIES PHILIPPINES INC., UTILIZING MULTIPLE VESSELS, IS CONDUCTING DREDGING AND LAND RECLAMATION WORKS UNTIL APRIL 2025 OFF THE SHORES OF THE CITIES OF PASAY AND MANILA IN THE AREA BOUNDED BY THE FOLLOWING COORDINATES:**

**POINT**

<b>1</b>	<b>14° 31' 58"N., 120° 53' 40"E.</b>
<b>2</b>	<b>14° 33' 34"N., 120° 56' 56"E.</b>
<b>3</b>	<b>14° 33' 33"N., 120° 58' 08"E.</b>
<b>4</b>	<b>14° 33' 04"N., 120° 58' 09"E.</b>
<b>5</b>	<b>14° 32' 08"N., 120° 56' 10"E.</b>

**ALL SHIPS/WATERCRAFTS TRANSITING THE VICINITY OF THE ABOVE- MENTIONED AREA ARE ADVISED TO TAKE NOTE OF THE INFORMATION AND TAKE NECESSARY PRECAUTIONARY MEASURES AT ALL TIMES.**

**CANCEL THIS NAVIGATIONAL WARNING ON 01 MAY 2025.**

# IV

## NAVIGATIONAL WARNINGS

Date: 01 July 2022

Reference: PCG NTM 325 - 2022 (HD 304/22)

### MESSAGE

---

#### NAVPHIL 198/22 – LUZON W. COAST, MANILA BAY – SITE INVESTIGATION

BEN LINE AGENCIES PHILIPPINES INC., UTILIZING MULTIPLE VESSELS, IS CONDUCTING SITE INVESTIGATION WORKS UNTIL DECEMBER 2023 OFF THE SHORES OF TERNATE AND NAIC, CAVITE WITHIN THE AREA BOUNDED BY THE FOLLOWING COORDINATES:

- |   |                               |
|---|-------------------------------|
| 1 | 14° 15' 18"N., 120° 34' 55"E. |
| 2 | 14° 17' 12"N., 120° 36' 17"E. |
| 3 | 14° 21' 03"N., 120° 41' 39"E. |
| 4 | 14° 21' 03"N., 120° 43' 13"E. |
| 5 | 14° 17' 12"N., 120° 37' 17"E. |
| 6 | 14° 14' 59"N., 120° 35' 31"E. |

ALL SHIPS/WATERCRAFTS TRANSITING THE VICINITY OF THE ABOVE- MENTIONED AREAS ARE ADVISED TO TAKE NOTE OF THE INFORMATION AND TAKE NECESSARY PRECAUTIONARY MEASURES AT ALL TIMES.

CANCEL THIS NAVIGATIONAL WARNING ON 01 JANUARY 2024.

# IV

## NAVIGATIONAL WARNINGS

Date: 04 July 2022

Reference: PCG NTM 324-2022 (HD 306/22)

### MESSAGE

---

#### NAVPHIL 199/22 – LUZON W. COAST, LUZON SEA – DREDGING WORKS

**BEN LINE AGENCIES PHILIPPINES, INC., UTILIZING MULTIPLE VESSELS IS CONDUCTING DREDGING AND LAND RECLAMATION WORKS UNTIL JUNE 2023 OFF THE SHORES OF BOTOLAN AND SAN FELIPE, ZAMBALES IN THE AREA BOUNDED BY THE FOLLOWING COORDINATES:**

1	15° 01' 00"N., 120° 01' 00"E.
2	15° 10' 00"N., 120° 00' 00"E.
3	15° 16' 30"N., 119° 57' 00"E.
4	15° 18' 30"N., 119° 57' 00"E.
5	15° 18' 30"N., 119° 58' 30"E.
6	15° 16' 30"N., 120° 00' 00"E.
7	15° 05' 00"N., 120° 03' 00"E.
8	15° 01' 00"N., 120° 03' 30"E.

**ALL SHIPS/WATERCRAFTS TRANSITING THE VICINITY OF THE ABOVE-MENTIONED AREA ARE ADVISED TO TAKE NOTE OF THE INFORMATION AND TAKE NECESSARY PRECAUTIONARY MEASURES AT ALL TIMES.**

**CANCEL THIS NAVIGATIONAL WARNING ON 01 JULY 2023.**

# IV

## NAVIGATIONAL WARNINGS

Date: 05 July 2022

Reference: PCG NTM 330-2022 (HD 307/22)

### MESSAGE

---

#### NAVPHIL 200/22 – PHILIPPINE WATERS – DREDGING AND RECLAMATION

TCSC CORP., UTILIZING VESSELS “AN DA KANG 689” AND “XIN YI 9577” IS CONDUCTING DREDGING AND RECLAMATION WORKS OFF THE SHORES OF OCCIDENTAL MINDORO AND LUBANG ISLAND UNTIL 31 DECEMBER 2022 IN THE AREAS BOUNDED BY THE FOLLOWING COORDINATES:

##### MANILA BAY AREA

- 1 14° 33' 33"N., 120° 58' 38"E.
- 2 14° 32' 02"N., 120° 54' 12"E.
- 3 14° 31' 40"N., 120° 54' 12"E.
- 4 13° 31' 37"N., 120° 58' 45"E.

##### LUBANG ISLAND AREA A

- 1 13° 53' 03"N., 120° 08' 46"E.
- 2 13° 51' 15"N., 120° 08' 25"E.
- 3 13° 51' 04"N., 120° 08' 59"E.
- 4 13° 50' 36"N., 120° 09' 30"E.
- 5 13° 51' 35"N., 120° 11' 26"E.
- 6 13° 52' 16"N., 120° 11' 26"E.

##### LUBANG ISLAND AREA B

- 1 13° 52' 17"N., 120° 12' 04"E.
- 2 13° 53' 47"N., 120° 13' 19"E.
- 3 13° 54' 20"N., 120° 14' 11"E.
- 4 13° 53' 15"N., 120° 15' 23"E.
- 5 13° 50' 43"N., 120° 13' 38"E.
- 6 13° 51' 26"N., 120° 12' 14"E.

##### LUBANG ISLAND AREA C

- 1 13° 45' 37"N., 120° 16' 53"E.
- 2 13° 45' 36"N., 120° 17' 34"E.
- 3 13° 43' 07"N., 120° 18' 17"E.
- 4 13° 42' 21"N., 120° 16' 29"E.
- 5 13° 43' 08"N., 120° 15' 12"E.
- 6 13° 43' 48"N., 120° 15' 16"E.
- 7 13° 44' 02"N., 120° 16' 44"E.

## **IV NAVIGATIONAL WARNINGS**

### **MINDORO AREA A**

- 1 13° 28' 37"N., 120° 18' 15"E.**
- 2 13° 28' 34"N., 120° 18' 48"E.**
- 3 13° 28' 03"N., 120° 18' 44"E.**
- 4 13° 28' 07"N., 120° 18' 40"E.**
- 5 13° 28' 07"N., 120° 18' 12"E.**

### **MINDORO AREA B**

- 1 13° 21' 20"N., 120° 27' 50"E.**
- 2 13° 21' 25"N., 120° 28' 23"E.**
- 3 13° 19' 07"N., 120° 29' 11"E.**
- 4 13° 17' 59"N., 120° 28' 52"E.**
- 5 13° 17' 54"N., 120° 28' 19"E.**

### **MINDORO AREA C**

- 1 13° 09' 04"N., 120° 39' 54"E.**
- 2 13° 09' 21"N., 120° 40' 23"E.**
- 3 13° 08' 04"N., 120° 41' 03"E.**
- 4 13° 07' 28"N., 120° 41' 31"E.**
- 5 13° 07' 11"N., 120° 41' 02"E.**

**ALL SHIPS/WATERCRAFTS TRANSITING THE VICINITY OF THE ABOVE-MENTIONED AREAS ARE ADVISED TO TAKE NOTE OF THE INFORMATION AND TAKE NECESSARY PRECAUTIONARY MEASURES AT ALL TIMES.**

**CANCEL THIS NAVIGATIONAL WARNING ON 01 JANUARY 2023.**



# IV

## NAVIGATIONAL WARNINGS

Date: 05 July 2022

Reference: PCG NTM 328 and 329 - 2022 (HD 308 and 309/22)

---

### MESSAGE

---

#### NAVPHIL 201/22 – LUZON W. COAST, MANILA BAY – SITE INVESTIGATION

BEN LINE AGENCIES PHILIPPINES INC., UTILIZING MULTIPLE VESSELS IS CONDUCTING SITE INVESTIGATION AND DREDGING WORKS UNTIL DECEMBER 2023 OFF THE SHORES OF TANZA AND NAIC, CAVITE OR WITHIN THE AREA BOUNDED BY THE FOLLOWING COORDINATES:

- |   |                               |
|---|-------------------------------|
| 1 | 14° 20' 57"N., 120° 41' 44"E. |
| 2 | 14° 22' 35"N., 120° 42' 11"E. |
| 3 | 14° 24' 19"N., 120° 43' 24"E. |
| 4 | 14° 25' 39"N., 120° 44' 33"E. |
| 5 | 14° 26' 59"N., 120° 45' 40"E. |
| 6 | 14° 26' 59"N., 120° 46' 43"E. |

ALL SHIPS/WATERCRAFTS TRANSITING THE VICINITY OF THE ABOVE- MENTIONED AREAS ARE ADVISED TO TAKE NOTE OF THE INFORMATION AND TAKE NECESSARY PRECAUTIONARY MEASURES AT ALL TIMES.

CANCEL THIS NAVIGATIONAL WARNING ON 01 JANUARY 2024.

# IV

## NAVIGATIONAL WARNINGS

Date: 07 July 2022

Reference: NMC Ship Agency Email (HD 312/22)

### MESSAGE

---

#### NAVPHIL 202/22 – PHILIPPINE WATERS – CABLE LAYING WORKS

**NMC SHIP AGENCY AND BROKERAGE INC., UTILIZING CABLE SHIP  
“KDDI CABLE INFINITY”, IS CONDUCTING CABLE LAYING WORKS UNTIL  
DECEMBER 2022 ALONG THE FOLLOWING ROUTES AS INDICATED:**

##### Ilijan – Pinamalayan

1	13° 37.7916' N	121° 04.2764' E
2	13° 37.2164' N	121° 03.9798' E
3	13° 36.3667' N	121° 04.4088' E
4	13° 36.0606' N	121° 05.3475' E
5	13° 35.4872' N	121° 08.9847' E
6	13° 32.3545' N	121° 17.8102' E
7	13° 31.0530' N	121° 18.3887' E
8	13° 27.1900' N	121° 22.6819' E
9	13° 21.6060' N	121° 27.4477' E
10	13° 16.9886' N	121° 33.1973' E
11	13° 11.1088' N	121° 34.2365' E
12	13° 04.2533' N	121° 35.0650' E
13	13° 03.3945' N	121° 33.3403' E
14	13° 02.5328' N	121° 30.4882' E
15	13° 02.2234' N	121° 29.6582' E

##### Pinamalayan – Boracay

1	13° 02.2270' N	121° 29.6498' E
2	13° 02.8030' N	121° 32.7463' E
3	13° 02.2225' N	121° 33.5032' E
4	13° 01.0121' N	121° 33.9014' E
5	12° 51.8441' N	121° 34.4697' E
6	12° 40.7237' N	121° 35.9174' E
7	12° 39.3326' N	121° 37.9150' E
8	12° 33.1881' N	121° 39.2883' E
9	12° 27.8320' N	121° 40.7876' E
10	12° 21.7427' N	121° 40.1405' E
11	12° 14.4962' N	121° 42.5185' E
12	12° 03.2047' N	121° 50.2454' E
13	12° 01.6620' N	121° 54.4095' E
14	12° 01.5198' N	121° 54.9638' E
15	12° 00.7191' N	121° 55.4682' E
16	12° 00.5131' N	121° 55.8433' E
17	12° 00.1061' N	121° 56.1637' E
18	11° 59.8696' N	121° 56.0552' E
19	11° 59.5716' N	121° 55.5147' E

# IV

## NAVIGATIONAL WARNINGS

### Lucena – Boac

1	13° 54.5032' N	121° 38.1668' E
2	13° 54.2463' N	121° 38.0069' E
3	13° 53.4134' N	121° 38.2312' E
4	13° 52.6500' N	121° 38.8991' E
5	13° 51.9318' N	121° 38.8973' E
6	13° 51.5957' N	121° 38.8234' E
7	13° 50.6243' N	121° 39.1507' E
8	13° 47.8402' N	121° 40.3738' E
9	13° 30.1742' N	121° 45.9094' E
10	13° 28.0018' N	121° 48.0052' E
11	13° 27.5993' N	121° 48.5699' E
12	13° 27.4386' N	121° 48.7837' E

### Boac – Calatrava

1	13° 27.4386' N	121° 48.7837' E
2	13° 27.4633' N	121° 48.5567' E
3	13° 27.1531' N	121° 47.7062' E
4	13° 26.4095' N	121° 47.1481' E
5	13° 24.7673' N	121° 47.0295' E
6	13° 23.5878' N	121° 47.1835' E
7	13° 15.5636' N	121° 45.7479' E
8	13° 07.1228' N	121° 45.8346' E
9	13° 03.3148' N	121° 43.7911' E
10	12° 54.8496' N	121° 47.6842' E
11	12° 51.7286' N	121° 49.8159' E
12	12° 47.9818' N	121° 49.9315' E
13	12° 44.1287' N	121° 54.5780' E
14	12° 42.7286' N	122° 01.0610' E
15	12° 41.6374' N	122° 01.8319' E
16	12° 38.3721' N	122° 03.2435' E
17	12° 37.8057' N	122° 03.4545' E
18	12° 37.6569' N	122° 03.4617' E
19	12° 37.2363' N	122° 03.5553' E

### Calatrava – Roxas

1	12° 37.2360' N	122° 03.5550' E
2	12° 38.1673' N	122° 03.5719' E
3	12° 42.5221' N	122° 05.9167' E
4	12° 42.7560' N	122° 10.2152' E
5	12° 41.3452' N	122° 16.8820' E
6	12° 34.4459' N	122° 21.4631' E
7	12° 28.9980' N	122° 23.2640' E
8	12° 23.8354' N	122° 21.9799' E
9	12° 10.3611' N	122° 28.0280' E
10	11° 46.8797' N	122° 42.6189' E

## IV NAVIGATIONAL WARNINGS

11	11° 46.1497' N	122° 43.6781' E
12	11° 41.1971' N	122° 46.8609' E
13	11° 38.4940' N	122° 45.2860' E
14	11° 37.5102' N	122° 45.5780' E
15	11° 36.3767' N	122° 45.3467' E

### Roxas – Placer

1	11° 36.3767' N	122° 45.3467' E
2	11° 37.3650' N	122° 45.5990' E
3	11° 40.1521' N	122° 49.8756' E
4	11° 40.5952' N	122° 52.4579' E
5	11° 40.0339' N	123° 00.4279' E
6	11° 44.1833' N	123° 11.3514' E
7	11° 45.0111' N	123° 19.0549' E
8	11° 46.9691' N	123° 20.6400' E
9	11° 46.8968' N	123° 24.9960' E
10	11° 47.4439' N	123° 26.2160' E
11	11° 46.5456' N	123° 27.9530' E
12	11° 42.4754' N	123° 33.7478' E
13	11° 39.3024' N	123° 41.3820' E
14	11° 38.4051' N	123° 49.4960' E
15	11° 39.3288' N	123° 50.3425' E
16	11° 42.2499' N	123° 51.0369' E
17	11° 44.9362' N	123° 52.6750' E
18	11° 48.8768' N	123° 52.7529' E
19	11° 50.1084' N	123° 53.1976' E
20	11° 51.9490' N	123° 54.6091' E

### San Carlos – Toledo

1	10° 29.3737' N	123° 25.6930' E
2	10° 29.2224' N	123° 26.6970' E
3	10° 29.6046' N	123° 27.0793' E
4	10° 29.6520' N	123° 27.4141' E
5	10° 29.1987' N	123° 27.9378' E
6	10° 28.8146' N	123° 28.2369' E
7	10° 22.5209' N	123° 36.6715' E
8	10° 22.0370' N	123° 37.3720' E

### Zamboanguita – Dipolog

1	9° 05.9630' N	123° 12.2186' E
2	9° 05.1613' N	123° 12.9045' E
3	9° 02.8614' N	123° 13.8971' E
4	8° 57.6751' N	123° 14.4955' E
5	8° 52.2640' N	123° 14.1742' E
6	8° 49.4068' N	123° 14.9540' E
7	8° 45.0623' N	123° 18.9754' E
8	8° 41.1453' N	123° 19.7721' E
9	8° 38.2701' N	123° 19.4910' E
10	8° 35.8811' N	123° 19.4753' E

## IV

### NAVIGATIONAL WARNINGS

11	8° 34.8904' N	123° 19.6895' E
12	8° 34.8163' N	123° 19.8405' E
13	8° 34.7540' N	123° 20.1090' E

#### Mactan – Palompon

1	10° 19.7453' N	124° 02.2280' E
2	10° 20.0927' N	124° 01.9835' E
3	10° 20.5777' N	124° 02.0779' E
4	10° 24.8541' N	124° 06.9027' E
5	10° 36.1459' N	124° 12.8817' E
6	10° 42.3550' N	124° 16.6691' E
7	10° 43.6035' N	124° 16.8536' E
8	10° 45.9515' N	124° 16.8286' E
9	11° 04.1631' N	124° 21.1972' E
10	11° 04.6269' N	124° 21.6168' E
11	11° 04.4806' N	124° 22.2255' E
12	11° 04.0872' N	124° 22.5571' E

#### Caticlan – Boracay

1	11° 56.0427' N	121° 57.6910' E
2	11° 56.6308' N	121° 58.1209' E
3	11° 57.0277' N	121° 58.1356' E
4	11° 57.4859' N	121° 57.8497' E
5	11° 58.0042' N	121° 57.2005' E
6	11° 59.2012' N	121° 56.2623' E
7	11° 59.5716' N	121° 55.5147' E

#### Placer – Palompon

1	11° 51.9490' N	123° 54.6091' E
2	11° 49.2555' N	123° 53.3963' E
3	11° 48.0490' N	123° 53.3594' E
4	11° 44.9138' N	123° 57.3578' E
5	11° 38.2501' N	124° 04.1394' E
6	11° 31.2662' N	124° 09.6754' E
7	11° 30.0978' N	124° 11.8934' E
8	11° 18.6237' N	124° 16.6610' E
9	11° 14.0519' N	124° 18.7038' E
10	11° 07.3416' N	124° 20.8890' E
11	11° 04.3716' N	124° 22.3878' E
12	11° 04.0872' N	124° 22.5571' E

#### Talisay – Tagbilaran

1	10° 14.2720' N	123° 49.3830' E
2	10° 13.4433' N	123° 49.7033' E
3	10° 12.5103' N	123° 49.3501' E
4	10° 11.8916' N	123° 49.4810' E
5	10° 11.6293' N	123° 49.7181' E

## IV NAVIGATIONAL WARNINGS

6	10° 09.1784' N	123° 50.2396' E
7	9° 49.0395' N	123° 42.2033' E
8	9° 46.8345' N	123° 42.0985' E
9	9° 43.0482' N	123° 43.9136' E
10	9° 42.7596' N	123° 46.6070' E
11	9° 40.9457' N	123° 49.9099' E
12	9° 40.8362' N	123° 50.4520' E
13	9° 41.0785' N	123° 51.2450' E

### Baclayon – Cagayan De Oro

1	9° 37.1522' N	123° 55.3885' E
2	9° 33.9576' N	123° 54.2531' E
3	9° 33.0171' N	123° 54.8662' E
4	9° 32.2389' N	123° 56.0281' E
5	9° 29.2567' N	123° 58.6403' E
6	9° 23.7446' N	123° 59.8158' E
7	9° 03.2947' N	124° 15.6617' E
8	8° 47.3317' N	124° 35.4509' E
9	8° 34.3906' N	124° 40.2240' E
10	8° 32.4763' N	124° 40.1467' E
11	8° 31.0475' N	124° 39.4206' E
12	8° 30.5960' N	124° 39.0150' E

### Dipolog – Cagayan De Oro

1	8° 34.7540' N	123° 20.1090' E
2	8° 35.1486' N	123° 19.6625' E
3	8° 38.9235' N	123° 20.1352' E
4	8° 39.1215' N	123° 20.0410' E
5	8° 44.7748' N	123° 21.6808' E
6	8° 45.5977' N	123° 22.2602' E
7	8° 44.7116' N	123° 31.5312' E
8	8° 43.5310' N	123° 49.7550' E
9	8° 40.3786' N	124° 10.8214' E
10	8° 39.1450' N	124° 19.0658' E
11	8° 38.9048' N	124° 27.2156' E
12	8° 38.2862' N	124° 31.4514' E
13	8° 31.2998' N	124° 39.0766' E
14	8° 30.9264' N	124° 39.1478' E
15	8° 30.5960' N	124° 39.0150' E

**ALL SHIPS/WATERCRAFTS TRANSITING THE VICINITY OF THE ABOVE MENTIONED AREAS ARE ADVISED TO TAKE NOTE OF THE INFORMATION AND TAKE NECESSARY PRECAUTIONARY MEASURES AT ALL TIMES.**

**CANCEL THIS NAVIGATIONAL WARNING ON 01 JANUARY 2023.**

# IV

## NAVIGATIONAL WARNINGS

Date: 07 July 2022

Reference: PCG NTM 332-2022 (HD 313/22)

### MESSAGE

#### NAVPIL 203/22 – PHILIPPINE WATERS – DREDGING AND RECLAMATION

CHINA HARBOR ENGINEERING COMPANY, UTILIZING VESSELS TUGBOAT “*MARIVELES*” AND BARGE “*GABRIELA*” IS CONDUCTING OFFSHORE BOREHOLE DRILLING WORKS OFF THE SHORE OF OCCIDENTAL MINDORO UNTIL 31 DECEMBER 2022 IN THE AREAS BOUNDED BY THE FOLLOWING COORDINATES:

##### LUBANG ISLAND AREA A

- 1 13° 53' 03"N., 120° 08' 46"E.
- 2 13° 51' 15"N., 120° 08' 25"E.
- 3 13° 51' 04"N., 120° 08' 59"E.
- 4 13° 50' 36"N., 120° 09' 30"E.
- 5 13° 51' 35"N., 120° 11' 26"E.
- 6 13° 52' 16"N., 120° 11' 26"E.

##### LUBANG ISLAND AREA B

- 1 13° 52' 17"N., 120° 12' 04"E.
- 2 13° 53' 47"N., 120° 13' 19"E.
- 3 13° 54' 20"N., 120° 14' 11"E.
- 4 13° 53' 15"N., 120° 15' 23"E.
- 5 13° 50' 43"N., 120° 13' 38"E.
- 6 13° 51' 26"N., 120° 12' 14"E.

##### LUBANG ISLAND AREA C

- 1 13° 45' 37"N., 120° 16' 53"E.
- 2 13° 45' 36"N., 120° 17' 34"E.
- 3 13° 43' 07"N., 120° 18' 17"E.
- 4 13° 42' 21"N., 120° 16' 29"E.
- 5 13° 43' 08"N., 120° 15' 12"E.
- 6 13° 43' 48"N., 120° 15' 16"E.
- 7 13° 44' 02"N., 120° 16' 44"E.

##### MINDORO AREA A

- 1 13° 28' 37"N., 120° 18' 15"E.
- 2 13° 28' 34"N., 120° 18' 48"E.
- 3 13° 28' 03"N., 120° 18' 44"E.
- 4 13° 28' 07"N., 120° 18' 40"E.
- 5 13° 28' 07"N., 120° 18' 12"E.

## **IV NAVIGATIONAL WARNINGS**

### **MINDORO AREA B**

- 1     13° 21' 20"N., 120° 27' 50"E.**
- 2     13° 21' 25"N., 120° 28' 23"E.**
- 3     13° 19' 07"N., 120° 29' 11"E.**
- 4     13° 17' 59"N., 120° 28' 52"E.**
- 5     13° 17' 54"N., 120° 28' 19"E.**

### **MINDORO AREA C**

- 1     13° 09' 04"N., 120° 39' 54"E.**
- 2     13° 09' 21"N., 120° 40' 23"E.**
- 3     13° 08' 04"N., 120° 41' 03"E.**
- 4     13° 07' 28"N., 120° 41' 31"E.**
- 5     13° 07' 11"N., 120° 41' 02"E.**

**ALL SHIPS/WATERCRAFTS TRANSITING THE VICINITY OF THE ABOVE- MENTIONED AREAS ARE ADVISED TO TAKE NOTE OF THE INFORMATION AND TAKE NECESSARY PRECAUTIONARY MEASURES AT ALL TIMES.**

**CANCEL THIS NAVIGATIONAL WARNING ON 01 JANUARY 2023.**



# IV

## NAVIGATIONAL WARNINGS

Date: 13 July 2022

Reference: PCG NTM 336 - 2022 (HD 318/22)

### MESSAGE

---

#### NAVPHIL 207/22 – LUZON W. COAST, MANILA BAY – SURVEY WORKS

CHINA HARBOR ENGINEERING COMPANY, UTILIZING VESSEL “*MB ORIENT SECOND WIND*”, IS CONDUCTING MAGNETIC SURVEY UNTIL 31 DECEMBER 2022 OFF THE SHORES OF NAIC AND TERNATE, CAVITE WITHIN THE AREA BOUNDED BY THE FOLLOWING COORDINATES:

- 1      14° 18' 01"N., 120° 40' 32"E.
- 2      14° 19' 14"N., 120° 39' 51"E.
- 3      14° 21' 03"N., 120° 43' 13"E.
- 4      14° 20' 58"N., 120° 44' 43"E.
- 5      14° 17' 57"N., 120° 41' 15"E.

ALL SHIPS/WATERCRAFTS TRANSITING THE VICINITY OF THE ABOVE- MENTIONED AREAS ARE ADVISED TO TAKE NOTE OF THE INFORMATION AND TAKE NECESSARY PRECAUTIONARY MEASURES AT ALL TIMES.

CANCEL THIS NAVIGATIONAL WARNING ON 01 JANUARY 2023.

# IV

## NAVIGATIONAL WARNINGS

Date: 14 July 2022

Reference: PCG NTM 339-2022(HD 321/22)

### MESSAGE

**NAVPHIL 209/22 – LUZON W. COAST, MANILA BAY – DREDGING AND RECLAMATION**

**CHINA HARBOUR ENGINEERING COMPANY, UTILIZING VESSELS “XING HANG JUN 1088”, IS CONDUCTING DREDGING AND RECLAMATION WORKS OFF THE SHORES OF THE CITIES OF PASAY AND MANILA UNTIL 05 NOVEMBER 2022 IN THE AREA BOUNDED BY THE FOLLOWING COORDINATES:**

- |   |                               |
|---|-------------------------------|
| 1 | 14° 33' 33"N., 120° 58' 38"E. |
| 2 | 14° 33' 25"N., 120° 58' 10"E. |
| 3 | 14° 32' 02"N., 120° 54' 12"E. |
| 4 | 14° 31' 40"N., 120° 54' 12"E. |
| 5 | 14° 31' 34"N., 120° 57' 35"E. |
| 6 | 14° 31' 37"N., 120° 58' 45"E. |

**ALL SHIPS/WATERCRAFTS TRANSITING THE VICINITY OF THE ABOVE-MENTIONED AREAS ARE ADVISED TO TAKE NOTE OF THE INFORMATION AND TAKE NECESSARY PRECAUTIONARY MEASURES AT ALL TIMES.**

**CANCEL THIS NAVIGATIONAL WARNING ON 06 NOVEMBER 2022.**

# IV

## NAVIGATIONAL WARNINGS

Date: 14 July 2022

Reference: PCG NTM 340 - 2022 (HD 322/22)

### MESSAGE

#### NAVPHIL 210/22 – LUZON SEA AND MANILA BAY – DREDGING AND RECLAMATION

CHINA HARBOUR ENGINEERING COMPANY, UTILIZING MULTIPLE VESSELS, IS CONDUCTING OFFSHORE SAND EXTRACTION OPERATIONS AT BOTOLAN AND SAN FELIPE, ZAMBALES AND RECLAMATION WORKS OFF PASAY CITY UNTIL 31 DECEMBER 2022 OR WITHIN THE AREAS BOUNDED BY THE FOLLOWING COORDINATES:

#### MANILA BAY RECLAMATION AREA

1	14° 33' 33"N., 120° 58' 38"E.
2	14° 33' 25"N., 120° 58' 10"E.
3	14° 33' 01"N., 120° 57' 14"E.
4	14° 32' 04"N., 120° 57' 08"E.
5	14° 32' 02"N., 120° 54' 12"E.
6	14° 31' 40"N., 120° 54' 12"E.
7	14° 31' 41"N., 120° 57' 09"E.
8	14° 31' 34"N., 120° 57' 34"E.
9	14° 31' 37"N., 120° 58' 45"E.

#### BOTOLAN AREA

1	15° 16' 00"N., 120° 00' 39"E.
2	15° 16' 00"N., 120° 00' 55"E.
3	15° 15' 51"N., 120° 00' 57"E.
4	15° 15' 42"N., 120° 00' 56"E.
5	15° 15' 31"N., 120° 00' 51"E.
6	15° 15' 31"N., 120° 00' 39"E.

#### SAN FELIPE AREA

1	15° 03' 48"N., 120° 02' 34"E.
2	15° 03' 57"N., 120° 03' 21"E.
3	15° 04' 24"N., 120° 03' 20"E.
4	15° 04' 57"N., 120° 03' 15"E.
5	15° 05' 58"N., 120° 03' 02"E.
6	15° 06' 16"N., 120° 03' 13"E.
7	15° 06' 18"N., 120° 03' 08"E.
8	15° 06' 07"N., 120° 03' 01"E.
9	15° 06' 32"N., 120° 02' 48"E.
10	15° 06' 43"N., 120° 02' 18"E.
11	15° 06' 07"N., 120° 02' 10"E.
12	15° 04' 07"N., 120° 02' 31"E.

## **IV NAVIGATIONAL WARNINGS**

**ALL SHIPS/WATERCRAFTS TRANSITING THE VICINITY OF THE ABOVE-MENTIONED AREAS ARE ADVISED TO TAKE NOTE OF THE INFORMATION AND TAKE NECESSARY PRECAUTIONARY MEASURES AT ALL TIMES.**

**THIS CANCELS NAVPHIL 181/22.**

**CANCEL THIS NAVIGATIONAL WARNING ON 01 JANUARY 2023.**

# IV

## NAVIGATIONAL WARNINGS

Date: 21 July 2022

Reference: PCG NTM 356-2022 (HD 330/22)

### MESSAGE

#### NAVPHIL 212/22 – MINDORO N AND W. COAST – OFFSHORE WORKS

CHINA HARBOUR ENGINEERING COMPANY AND TCSC CORP., UTILIZING MULTIPLE VESSELS, ARE CONDUCTING OFFSHORE VIBROCORE DRILLING AND DREDGING ACTIVITIES OFF THE SHORE OF OCCIDENTAL MINDORO AND LUBANG ISLAND UNTIL 31 DECEMBER 2022 IN THE AREAS BOUNDED BY THE FOLLOWING COORDINATES:

##### LUBANG ISLAND AREA A

- 1 13° 53' 04"N., 120° 08' 46"E.
- 2 13° 51' 15"N., 120° 08' 25"E.
- 3 13° 51' 04"N., 120° 08' 59"E.
- 4 13° 50' 36"N., 120° 09' 30"E.
- 5 13° 51' 35"N., 120° 11' 26"E.
- 6 13° 52' 16"N., 120° 11' 26"E.

##### LUBANG ISLAND AREA B

- 1 13° 52' 17"N., 120° 12' 04"E.
- 2 13° 53' 47"N., 120° 13' 19"E.
- 3 13° 54' 20"N., 120° 14' 11"E.
- 4 13° 53' 15"N., 120° 15' 23"E.
- 5 13° 50' 43"N., 120° 13' 38"E.
- 6 13° 51' 26"N., 120° 12' 14"E.

##### LUBANG ISLAND AREA C

- 1 13° 45' 37"N., 120° 16' 53"E.
- 2 13° 45' 36"N., 120° 17' 34"E.
- 3 13° 43' 07"N., 120° 18' 17"E.
- 4 13° 42' 21"N., 120° 16' 29"E.
- 5 13° 43' 08"N., 120° 15' 12"E.
- 6 13° 43' 48"N., 120° 15' 16"E.
- 6 13° 44' 02"N., 120° 16' 44"E.

##### MINDORO AREA A (OFF CAPE CALAVITE)

- 1 13° 28' 37"N., 120° 18' 15"E.
- 2 13° 28' 34"N., 120° 18' 48"E.
- 3 13° 28' 03"N., 120° 18' 44"E.
- 4 13° 28' 07"N., 120° 18' 40"E.
- 5 13° 28' 07"N., 120° 18' 12"E.

##### MINDORO AREA B (OFF BRGY. MARIKIT, PALUAN)

- 1 13° 21' 21"N., 120° 27' 50"E.
- 2 13° 21' 25"N., 120° 28' 23"E.
- 3 13° 19' 07"N., 120° 29' 11"E.
- 4 13° 17' 59"N., 120° 28' 52"E.
- 5 13° 17' 54"N., 120° 28' 19"E.

## **IV**

### **NAVIGATIONAL WARNINGS**

#### **MINDORO AREA C (OFF BRGY. TALABAAN, MAMBURAO)**

- 1     13° 09' 04"N., 120° 39' 54"E.
- 2     13° 09' 21"N., 120° 40' 23"E.
- 3     13° 08' 04"N., 120° 41' 03"E.
- 4     13° 07' 28"N., 120° 41' 31"E.
- 5     13° 07' 11"N., 120° 41' 02"E.

**ALL SHIPS/WATERCRAFTS TRANSITING THE VICINITY OF THE ABOVEMENTIONED AREAS ARE ADVISED TO TAKE NOTE OF THE INFORMATION AND TAKE NECESSARY PRECAUTIONARY MEASURES AT ALL TIMES.**

**THIS CANCELS NAVPHIL 200/22.**

**CANCEL THIS NAVIGATIONAL WARNING ON 01 JANUARY 2023.**

# IV

## NAVIGATIONAL WARNINGS

Date: 02 August 2022

Reference: BHSLSI Email (HD 347/22)

### MESSAGE

#### NAVPHIL 217/22 – PHILIPPINE WATERS – SUBMARINE CABLE WORKS

BLUE HORIZON SHIPPING AND LOGISTICS SERVICES INC., UTILIZING VESSEL “FU TAI”, WILL CONDUCT POST LAY INSPECTION AND BURIAL (PLIB) OPERATION FOR SUBMARINE CABLE INSTALLATION OF DITO TELECOMMUNICATION CORP. FROM 07 AUGUST TO 06 SEPTEMBER 2022 ALONG THE ROUTES DEFINED BY THE FOLLOWING COORDINATES:

POINTS	COORDINATES	
<b>ORMOC BAY</b>		
A1	10° 58.3878'N.,	124° 37.7135'E.
A2	10° 55.4725'N.,	124° 37.9232'E.
<b>CAMOTES SEA</b>		
B1	10° 24.715'N.,	124° 04.823'E.
B2	10° 24.703'N.,	124° 01.462'E.
B3	10° 25.431'N.,	124° 00.712'E.
<b>CAMOTES SEA TO VISAYAN SEA</b>		
C1	11° 15.2325'N.,	124° 13.1396'E.
C2	11° 22.4924'N.,	124° 09.7472'E.
C3	11° 22.4870'N.,	124° 04.9240'E.
C4	11° 18.0637'N.,	123° 57.7799'E.
<b>SIBUYAN SEA</b>		
D1	11° 37.9803'N.,	122° 45.8883'E.
D2	11° 40.2368'N.,	122° 47.0713'E.
D3	11° 45.4007'N.,	122° 42.3006'E.
E1	11° 51.7432'N.,	122° 02.9399'E.
<b>MANGARIN BAY</b>		
F1	12° 21.2574'N.,	121° 00.3993'E.
<b>CORON PASSAGE</b>		
G1	12° 01.3562'N.,	120° 32.0976'E.
G2	11° 57.8932'N.,	120° 22.3910'E.
G3	11° 56.0451'N.,	120° 19.7464'E.
G4	11° 57.6848'N.,	120° 17.8368'E.
G5	11° 59.2646'N.,	120° 15.2649'E.

**IV**  
**NAVIGATIONAL WARNINGS**

**CUYO WEST PASSAGE**

H1	11° 51.655'N.,	120° 21.849'E.
H2	11° 44.427'N.,	120° 22.530'E.
H3	11° 25.515'N.,	120° 14.352'E.
H4	11° 14.131'N.,	120° 10.510'E.

**TAYTAY BAY**

H1	10° 51.4710'N.,	119° 32.5644'E.
----	-----------------	-----------------

**ALL SHIPS/WATERCRAFTS TRANSITING THE VICINITY OF THE ABOVE-MENTIONED AREAS ARE ADVISED TO TAKE NOTE OF THE INFORMATION AND TAKE NECESSARY PRECAUTIONARY MEASURES AT ALL TIMES.**

**CANCEL THIS NAVIGATIONAL WARNING ON 07 SEPTEMBER 2022.**



# IV

## NAVIGATIONAL WARNINGS

Date: 02 August 2022

Reference: PCG NTM 384-2022 (HD 346/22)

### MESSAGE

**NAVPHIL 219/22 – MINDANAO SE. COAST, PAKIPUTAN STRAIT – GEOTECHNICAL WORKS**

**CHINA ROAD AND BRIDGE CORP. (CRBC); UTILIZING VESSELS BARGE “SY 607”, MTUG “MARIVELES”, AND A PUMPBOAT; IS CONDUCTING GEOTECHNICAL WORKS UNTIL 01 JANUARY 2023 IN THE AREA BOUNDED BY THE FOLLOWING COORDINATES:**

**A    07° 06' 15"N., 125° 39' 03"E.**  
**B    07° 06' 08"N., 125° 39' 01"E.**  
**C    07° 05' 54"N., 125° 39' 51"E.**  
**D    07° 06' 03"N., 125° 39' 52"E.**

**ALL SHIPS/WATERCRAFTS TRANSITING THE VICINITY OF THE ABOVE-MENTIONED AREA ARE ADVISED TO TAKE NOTE OF THE INFORMATION AND TAKE NECESSARY PRECAUTIONARY MEASURES AT ALL TIMES.**

**CANCEL THIS NAVIGATIONAL WARNING ON 02 JANUARY 2023.**

# IV

## NAVIGATIONAL WARNINGS

Date: 03 August 2022

Reference: PCG NTM 373 - 2022 (HD 340/22)

### MESSAGE

---

#### NAVPHIL 220/22 – LUZON W. COAST, MANILA BAY – SURVEY WORKS

SEABRIDGE PORT AGENCY CORP., UTILIZING MTUG “DANICA” IS CONDUCTING INITIAL SURVEY WORKS OFF THE SHORES OF NAVOTAS AND CAVITE PROVINCE UNTIL 15 OCTOBER 2022 IN THE AREAS BOUNDED BY THE FOLLOWING COORDINATES:

- BORROW AREA – CAVITE**
- 1     14° 27' 42"N., 120° 52' 08"E.
  - 2     14° 20' 28"N., 120° 45' 00"E.
  - 3     14° 20' 50"N., 120° 43' 00"E.
  - 4     14° 29' 06"N., 120° 50' 08"E.

- PRIMARY CHANNEL - NAVOTAS**
- 1     14° 40' 46"N., 120° 54' 07"E.
  - 2     14° 37' 22"N., 120° 50' 25"E.
  - 3     14° 37' 40"N., 120° 50' 07"E.
  - 4     14° 41' 08"N., 120° 53' 44"E.

- SECONDARY CHANNEL - NAVOTAS**
- 1     14° 38' 11"N., 120° 56' 36"E.
  - 2     14° 37' 51"N., 120° 53' 54"E.
  - 3     14° 39' 33"N., 120° 56' 16"E.
  - 4     14° 39' 54"N., 120° 55' 56"E.

ALL SHIPS/WATERCRAFTS TRANSITING THE VICINITY OF THE ABOVE-MENTIONED AREAS ARE ADVISED TO TAKE NOTE OF THE INFORMATION AND TAKE NECESSARY PRECAUTIONARY MEASURES AT ALL TIMES.

CANCEL THIS NAVIGATIONAL WARNING ON 16 OCTOBER 2022.

# IV

## NAVIGATIONAL WARNINGS

Date: 04 August 2022

Reference: PCG NTM 397 - 2022 (HD 361/22)

### MESSAGE

---

**NAVPHIL 221/22 – LUZON, W. COAST, MANILA BAY – DREDGING AND RECLAMATION**

**CHINA HARBOUR ENGINEERING COMPANY, UTILIZING VESSELS “HANG BO 3001” AND “HANG BO 3002”, IS CONDUCTING DREDGING AND RECLAMATION WORKS AT VICINITY WATERS OFF PASAY CITY UNTIL 28 SEPTEMBER 2022 OR WITHIN THE AREA BOUNDED BY THE FOLLOWING COORDINATES:**

1	14° 31' 52"N., 120° 54' 12"E.
2	14° 31' 50"N., 120° 54' 12"E.
3	14° 31' 51"N., 120° 57' 39"E.
4	14° 31' 54"N., 120° 57' 43"E.
5	14° 32' 01"N., 120° 57' 43"E.
6	14° 32' 30"N., 120° 57' 35"E.
7	14° 32' 35"N., 120° 57' 25"E.

**ALL SHIPS/WATERCRAFTS TRANSITING THE VICINITY OF THE ABOVE-MENTIONED AREAS ARE ADVISED TO TAKE NOTE OF THE INFORMATION AND TAKE NECESSARY PRECAUTIONARY MEASURES AT ALL TIMES.**

**CANCEL THIS NAVIGATIONAL WARNING ON 29 SEPTEMBER 2022.**

# IV

## NAVIGATIONAL WARNINGS

Date: 04 August 2022

Reference: PCG NTM 386, 387, 388, 389,390,391, 392, 393, 394, 395 and 396 -2022(HD 350, 351, 352, 353, 354, 355, 356,357, 358, 359 and 360/22)

### MESSAGE

---

#### NAVPHIL 223/22 – LUZON W. COAST, MANILA BAY – DREDGING WORKS

**BEN LINE AGENCIES PHILIPPINES INC., UTILIZING VARIOUS VESSELS IS CONDUCTING DREDGING AND LAND RECLAMATION WORKS OFF VICINITY WATERS OF CAVITE AND PASAY CITY UNTIL 8 JANUARY 2023 IN THE AREAS BOUNDED BY THE FOLLOWING COORDINATES:**

##### PASAY CITY AREA

- 1 14° 31' 58"N., 120° 53' 40"E.
- 2 14° 33' 34"N., 120° 56' 56"E.
- 3 14° 33' 32"N., 120° 58' 08"E.
- 4 14° 33' 05"N., 120° 58' 09"E.
- 5 14° 32' 08"N., 120° 56' 09"E.

##### CAVITE AREA (PARCEL 2)

- 1 14° 15' 18"N., 120° 34' 55"E.
- 2 14° 16' 40"N., 120° 34' 40"E.
- 3 14° 19' 07"N., 120° 37' 42"E.
- 4 14° 21' 03"N., 120° 41' 39"E.
- 5 14° 21' 03"N., 120° 43' 13"E.
- 6 14° 19' 34"N., 120° 40' 43"E.
- 7 14° 18' 47"N., 120° 38' 40"E.
- 8 14° 14' 59"N., 120° 35' 31"E.

##### CAVITE AREA (BUOYS)

- 1 14° 20' 57"N., 120° 41' 44"E.
- 2 14° 22' 35"N., 120° 42' 11"E.
- 3 14° 24' 19"N., 120° 43' 24"E.
- 4 14° 25' 39"N., 120° 44' 33"E.
- 5 14° 27' 00"N., 120° 45' 40"E.
- 6 14° 26' 59"N., 120° 46' 43"E.

##### CAVITE AREA (PARCEL 1)

- 1 14° 26' 02"N., 120° 41' 38"E.
- 2 14° 26' 59"N., 120° 42' 27"E.
- 3 14° 26' 59"N., 120° 44' 41"E.
- 4 14° 24' 06"N., 120° 42' 15"E.
- 5 14° 24' 06"N., 120° 41' 38"E.

**ALL SHIPS/WATERCRAFTS TRANSITING THE VICINITY OF THE ABOVE-MENTIONED AREAS ARE ADVISED TO TAKE NOTE OF THE INFORMATION AND TAKE NECESSARY PRECAUTIONARY MEASURES AT ALL TIMES.**

**CANCEL THIS NAVIGATIONAL WARNING ON 9 JANUARY 2023.**

# IV

## NAVIGATIONAL WARNINGS

Date: 09 August 2022

Reference: PCG NTM 398 - 2022 (HD 362/22)

### MESSAGE

#### NAVPHIL 225/22 – LUZON SEA AND MANILA BAY – DREDGING WORKS

BENLINE AGENCIES PHILIPPINES INC., UTILIZING VESSEL “CONGO RIVER”, IS CONDUCTING DREDGING WORKS UNTIL 27 JANUARY 2023 IN THE AREAS BOUNDED BY THE FOLLOWING COORDINATES:

POSITION	COORDINATES
<b>RECLAMATION AREA</b>	
1	14° 44' 46"N., 120° 50' 14"E.
2	14° 42' 49"N., 120° 53' 52"E.
3	14° 42' 28"N., 120° 53' 44"E.
4	14° 37' 22"N., 120° 45' 41"E.
5	14° 37' 34"N., 120° 45' 25"E.
6	14° 45' 03"N., 120° 48' 06"E.
<b>SAND MINING AREA</b>	
1	14° 27' 09"N., 120° 43' 23"E.
2	14° 29' 06"N., 120° 52' 13"E.
3	14° 26' 52"N., 120° 51' 47"E.
4	14° 20' 38"N., 120° 45' 40"E.
5	14° 20' 47"N., 120° 43' 28"E.
6	14° 20' 46"N., 120° 41' 03"E.
7	14° 26' 42"N., 120° 46' 07"E.
8	14° 26' 39"N., 120° 43' 23"E.
<b>DISPOSAL AREA</b>	
1	14° 20' 00"N., 120° 00' 00"E.

ALL SHIPS/WATERCRAFTS TRANSITING THE VICINITY OF THE ABOVE-MENTIONED AREAS ARE ADVISED TO TAKE NOTE OF THE INFORMATION AND TAKE NECESSARY PRECAUTIONARY MEASURES AT ALL TIMES.

CANCEL THIS NAVIGATIONAL WARNING ON 28 JANUARY 2023.

# IV NAVIGATIONAL WARNINGS

Date: 09 August 2022

Reference: PCG NTM 413 - 2022 (HD 368/22)

## MESSAGE

---

### NAVPHIL 226/22 – LUZON E. COAST, MANILA BAY – SURVEY WORKS

SILVERQUEST MINING RESOURCES INC, UTILIZING VESSEL “*MB KRISTEL*”, IS CONDUCTING BATHYMETRY AND GEODETIC SURVEY UNTIL 05 OCTOBER 2022 OFF THE SHORES OF TERNATE, CAVITE WITHIN THE AREA BOUNDED BY THE FOLLOWING COORDINATES:

1	14° 18' 28"N., 120° 38' 35"E.
2	14° 18' 54"N., 120° 39' 48"E.
3	14° 19' 32"N., 120° 41' 03"E.
4	14° 19' 35"N., 120° 43' 01"E.
5	14° 18' 38"N., 120° 42' 25"E.
6	14° 17' 59"N., 120° 41' 32"E.
7	14° 18' 07"N., 120° 39' 02"E.
8	14° 17' 40"N., 120° 38' 24"E.

ALL SHIPS/WATERCRAFTS TRANSITING THE VICINITY OF THE ABOVE- MENTIONED AREAS ARE ADVISED TO TAKE NOTE OF THE INFORMATION AND TAKE NECESSARY PRECAUTIONARY MEASURES AT ALL TIMES.

CANCEL THIS NAVIGATIONAL WARNING ON 06 OCTOBER 2022.

# IV NAVIGATIONAL WARNINGS

Date: 13 August 2022  
Reference: DMG-EMail (HD 383/22)

## MESSAGE

### NAVPHIL 230/22 – PHILIPPINE WATERS – CABLE ROUTE SURVEY

DMG LOGISTICS SUPPORT AND SOLUTION INC., UTILIZING VESSEL “*ERA MARITIM*”, IS CONDUCTING CABLE ROUTE SURVEY AND PRE-LAY GRAPNEL RUN UNTIL 30 SEPTEMBER 2022 ALONG THE ROUTES WITH THE FOLLOWING DETAILS:

<b>ROUTE 1</b>	
POINT 1 (ILIJAN)	13° 37.5920'N., 121° 04.1217'E.
POINT 2 (PINAMALAYAN)	13° 02.3287'N., 121° 30.0967'E.
<b>ROUTE 2</b>	
POINT 1 (LUCENA)	13° 53.1533'N., 121° 38.5880'E.
POINT 2 (BOAC)	13° 27.6406'N., 121° 48.3710'E.
<b>ROUTE 3</b>	
POINT 1 (BOAC)	13° 27.4244'N., 121° 48.3423'E.
POINT 2 (CALATRAVA)	12° 37.6435'N., 122° 03.4177'E.
<b>ROUTE 4</b>	
POINT 1 (PINAMALAYAN)	13° 02.1655'N., 121° 30.0820'E.
POINT 2 (BORACAY)	11° 59.7348'N., 121° 55.9019'E.
<b>ROUTE 5</b>	
POINT 1 (BORACAY)	11° 58.5861'N., 121° 56.6770'E.
POINT 2 (CATICLAN)	11° 56.2775'N., 121° 58.0438'E.
<b>ROUTE 6</b>	
POINT 1 (CALATRAVA)	12° 37.6174'N., 122° 03.6760'E.
POINT 2 (ROXAS)	11° 37.2756'N., 122° 45.4500'E.
<b>ROUTE 7</b>	
POINT 1 (ROXAS)	11° 37.2795'N., 122° 45.5680'E.
POINT 2 (PLACER)	11° 50.1618'N., 123° 53.2790'E.
<b>ROUTE 8</b>	
POINT 1 (ILOILO)	10° 46.4875'N., 122° 40.9059'E.
POINT 2 (BACOLOD)	10° 45.0256'N., 122° 54.6680'E.
<b>ROUTE 9</b>	
POINT 1 (SAN CARLOS)	10° 29.1519'N., 123° 26.3123'E.
POINT 2 (TOLEDO)	10° 22.1058'N., 123° 37.0339'E.
<b>ROUTE 10</b>	
POINT 1 (PLACER)	11° 49.7690'N., 123° 53.6741'E.
POINT 2 (PALOMPON)	11° 04.5134'N., 124° 22.2846'E.
<b>ROUTE 11</b>	
POINT 1 (PALOMPON)	11° 04.1321'N., 124° 22.0560'E.
POINT 2 (LILOAN)	10° 24.5899'N., 124° 00.2550'E.
<b>ROUTE 12</b>	
POINT 1 (TALISAY)	10° 13.8179'N., 123° 49.6160'E.
POINT 2 (TAGBILARAN)	09° 42.2179'N., 123° 49.2305'E.

**IV**  
**NAVIGATIONAL WARNINGS**

ROUTE 13	
POINT 1 (ZAMBOANGUITA)	09° 05.4146'N., 123° 12.5793'E.
POINT 2 (DIPOLOG)	08° 34.7868'N., 123° 19.7802'E.
ROUTE 14	
POINT 1 (DIPOLOG)	08° 34.8621'N., 123° 19.8309'E.
POINT 2 (CAGAYAN DE ORO)	08° 30.6613'N., 124° 38.9803'E.
ROUTE 15	
POINT 1 (CAGAYAN DE ORO)	08° 30.6656'N., 124° 39.0459'E.
POINT 2 (BACLAYON)	09° 36.9174'N., 123° 55.5238'E.

**SIARGAO SIDE ONLY**  
**09° 43.5341'N., 126° 05.9586'E.**

**ALL SHIPS/WATERCRAFTS TRANSITING THE VICINITY OF THE ABOVE- MENTIONED AREAS ARE ADVISED TO TAKE NOTE OF THE INFORMATION AND TAKE NECESSARY PRECAUTIONARY MEASURES AT ALL TIMES.**

**CANCEL THIS NAVIGATIONAL WARNING 01 OCTOBER 2022.**



## IV NAVIGATIONAL WARNINGS

Date: 15 August 2022

Reference: PCG NTM 425 – 2022 (HD 381/22)

### MESSAGE

---

**NAVPHIL 232/22 – LUZON, W. COAST, MANILA BAY – DREDGING**

**CHINA HARBOUR ENGINEERING COMPANY, UTILIZING VESSELS “HUA TAI LONG” AND “HANG FENG 3”, IS CONDUCTING DREDGING ACTIVITY UNTIL 21 OCTOBER 2022 AT VICINITY WATERS OFF TANZA, CAVITE WITHIN THE AREA BOUNDED BY THE FOLLOWING COORDINATES:**

- |   |                               |
|---|-------------------------------|
| 1 | 14° 22' 28"N., 120° 47' 08"E. |
| 2 | 14° 21' 58"N., 120° 47' 58"E. |
| 3 | 14° 22' 31"N., 120° 48' 14"E. |
| 4 | 14° 22' 56"N., 120° 47' 25"E. |

**ALL SHIPS/WATERCRAFTS TRANSITING THE VICINITY OF THE ABOVEMENTIONED AREAS ARE ADVISED TO TAKE NOTE OF THE INFORMATION AND TAKE NECESSARY PRECAUTIONARY MEASURES AT ALL TIMES.**

**CANCEL THIS NAVIGATIONAL WARNING ON 22 OCTOBER 2022.**

# IV NAVIGATIONAL WARNINGS

Date: 17 August 2022

Reference: PCG-NTM 418-2022 (HD 374/2022)

## MESSAGE

### NAVPHIL 233/22 – PHILIPPINE WATERS – CABLE LAYING WORKS

**BEN LINE AGENCIES PHILIPPINES INC., UTILIZING CABLE SHIP “AI LAN YI HAO”, IS CONDUCTING CABLE LAYING WORKS UNTIL 30 SEPTEMBER 2022 ALONG THE FOLLOWING ROUTES AS INDICATED:**

CALATRAVA-ROXAS		
1	11° 39.1091' N	122° 45.6129' E
2	11° 38.6907' N	122° 45.3900' E
3	11° 38.4940' N	122° 45.2860' E
4	11° 38.3244' N	122° 45.2660' E
5	11° 37.8135' N	122° 45.5879' E
6	11° 37.5966' N	122° 45.6033' E
7	11° 37.2756' N	122° 45.4500' E
8	11° 36.3767' N	122° 45.3467' E

ROXAS-PLACER		
1	11° 36.3767' N	122° 45.3467' E
2	11° 37.3650' N	122° 45.5990' E
3	11° 37.4866' N	122° 45.7310' E
4	11° 37.6240' N	122° 46.2065' E
5	11° 40.1521' N	122° 49.8756' E
6	11° 47.7257' N	123° 52.7195' E
7	11° 49.6705' N	123° 52.9268' E
8	11° 49.8919' N	123° 53.0316' E
9	11° 51.9490' N	123° 54.6091' E

PLACER-PALOMPON		
1	11° 51.9723' N	123° 54.6082' E
2	11° 51.9490' N	123° 54.6091' E
3	11° 51.4030' N	123° 54.4455' E
4	11° 51.0401' N	123° 54.3369' E
5	11° 50.6665' N	123° 54.1474' E

6	11° 50.5616' N	123° 54.0880' E
7	11° 49.8472' N	123° 53.6828' E
8	11° 49.6980' N	123° 53.6106' E
9	11° 49.4914' N	123° 53.5105' E
10	11° 49.3936' N	123° 53.4632' E
11	11° 49.2555' N	123° 53.3963' E

## IV NAVIGATIONAL WARNINGS

ILOILO-BACOLOD		
1	10°47.7318' N	122° 40.9093' E
2	10°46.1164' N	122° 41.1046' E
3	10°44.7106' N	122° 41.6584' E
4	10°44.5696' N	122° 41.8238' E
5	10°43.6742' N	122° 44.6324' E
6	10°43.9143' N	122° 46.9818' E
7	10°45.1191' N	122° 48.8688' E
8	10°45.5329' N	122° 51.2930' E
9	10°45.8847' N	122° 53.8716' E
10	10°45.7572' N	122° 54.1640' E
11	10°44.3325' N	122° 55.2716' E
12	10°44.2820' N	122° 55.4839' E
13	10°44.2772' N	122° 56.4995' E
14	10°44.5683' N	122° 57.6632' E
15	10°44.5767' N	122° 57.6700' E
16	10°44.6010' N	122° 57.7180' E

CLAVER-SIARGAO		
1	09°31.1983' N	125° 52.0250' E
2	09°31.6181' N	125° 52.3222' E
3	09°31.7998' N	125° 52.3747' E
4	09°31.9880' N	125° 52.5238' E
5	09°32.0494' N	125° 52.8087' E
6	09°32.2486' N	125° 53.3945' E
7	09°32.5576' N	125° 53.6491' E
8	09°32.6786' N	125° 53.8916' E
9	09°32.5837' N	125° 55.0683' E
10	09°32.0978' N	125° 56.4025' E
11	09°32.1331' N	125° 57.6123' E
12	09°32.8756' N	125° 59.2824' E
13	09°33.2928' N	125° 59.7262' E
14	09°33.9201' N	125° 59.9122' E
15	09°34.6409' N	126°00.4298' E
16	09°34.7852' N	126°00.8300' E
17	09°35.6626' N	126°02.8633' E
18	09°35.9784' N	126°03.1937' E
19	09°36.2459' N	126°03.8761' E
20	09°38.1881' N	126°04.5235' E
21	09°40.4676' N	126°06.1944' E
22	09°41.8358' N	126°06.2689' E
23	09°45.0168' N	126°04.9920' E

## **IV NAVIGATIONAL WARNINGS**

**ALL SHIPS/WATERCRAFTS TRANSITING THE VICINITY OF THE ABOVE MENTIONED AREAS ARE ADVISED TO TAKE NOTE OF THE INFORMATION AND TAKE NECESSARY PRECAUTIONARY MEASURES AT ALL TIMES.**

**CANCEL THIS NAVIGATIONAL WARNING ON 01 OCTOBER 2022.**

# IV

## NAVIGATIONAL WARNINGS

Date: 17 August 2022

Reference: MGB Email (HD 388/22)

### MESSAGE

---

**NAVPHIL 235/22 – LUZON E. COAST, LAMON BAY – OFFSHORE SURVEY**

**MINES AND GEOSCIENCES BUREAU (MGB) WILL CONDUCT SUB-BOTTOM PROFILING, BATHYMETRIC SURVEY, AND SEABED SAMPLING IN LAMON BAY FROM 22 AUGUST TO 19 SEPTEMBER 2022 WITHIN THE AREA BOUNDED BY THE FOLLOWING COORDINATES:**

1	14° 48' 12"N., 122° 44' 10"E.
2	14° 42' 16"N., 122° 51' 04"E.
3	14° 24' 11"N., 122° 34' 01"E.
4	14° 27' 37"N., 122° 30' 00"E.
5	14° 21' 45"N., 122° 24' 25"E.
6	14° 16' 13"N., 122° 08' 46"E.
7	14° 11' 33"N., 122° 04' 44"E.
8	14° 01' 18"N., 122° 14' 53"E.
9	14° 00' 00"N., 122° 13' 55"E.
10	14° 31' 01"N., 121° 38' 49"E.
11	14° 35' 10"N., 121° 38' 02"E.
12	14° 43' 51"N., 121° 46' 05"E.
13	14° 54' 15"N., 121° 36' 00"E.
14	14° 57' 01"N., 121° 35' 35"E.
15	15° 05' 31"N., 121° 43' 37"E.
16	15° 08' 18"N., 122° 01' 52"E.

**ALL SHIPS/WATERCRAFTS TRANSITING THE VICINITY OF THE ABOVE-MENTIONED AREA ARE ADVISED TO TAKE NOTE OF THE INFORMATION AND TAKE NECESSARY PRECAUTIONARY MEASURES AT ALL TIMES.**

**CHARTS AFFECTED: 1512 & 1513**

**CANCEL THIS NAVIGATIONAL WARNING ON 20 SEPTEMBER 2022.**

# IV

## NAVIGATIONAL WARNINGS

Date: 18 August 2022

Reference: PCG NTM 428 and 434 - 2022 (HD 387 and 395/22)

---

### MESSAGE

---

#### NAVPHIL 236/22 – LUZON, W. COAST, MANILA BAY – DREDGING

VARIOUS VESSELS ARE CONDUCTING DREDGING AND DESILTING ACTIVITY AT VICINITY WATERS OFF CITY OF MANILA FROM 18 AUGUST 2022 TO 31 DECEMBER 2022 OR WITHIN THE AREA BOUNDED BY THE FOLLOWING COORDINATES:

A	14° 34' 32"N., 120° 58' 09"E.
B	14° 34' 32"N., 120° 58' 20"E.
C	14° 34' 23"N., 120° 58' 25"E.
D	14° 34' 03"N., 120° 58' 25"E.
E	14° 34' 05"N., 120° 58' 13"E.
F	14° 34' 25"N., 120° 58' 01"E.

ALL SHIPS/WATERCRAFTS TRANSITING THE VICINITY OF THE ABOVE-MENTIONED AREAS ARE ADVISED TO TAKE NOTE OF THE INFORMATION AND TAKE NECESSARY PRECAUTIONARY MEASURES AT ALL TIMES.

CHARTS AFFECTED: 4236

CANCEL THIS NAVIGATIONAL WARNING ON 01 JANUARY 2023.

THIS CANCELS NAVPHIL 234/22.

# IV

## NAVIGATIONAL WARNINGS

Date: 19 August 2022

Reference: PCG NTM 435 - 2022 (HD 396/22)

---

### MESSAGE

---

#### NAVPHIL 238/22 – LUZON, W. COAST, MANILA BAY – DREDGING

VARIOUS VESSELS ARE CONDUCTING DREDGING AND DESILTING ACTIVITY AT VICINITY WATERS OFF THE CITY OF MANILA UNTIL 31 DECEMBER 2022 OR WITHIN THE AREAS BOUNDED BY THE FOLLOWING COORDINATES:

#### EXCAVATION AREA

A	14° 33' 50"N., 120° 58' 39"E.
B	14° 33' 35"N., 120° 58' 07"E.
C	14° 33' 53"N., 120° 58' 13"E.
D	14° 34' 25"N., 120° 57' 42"E.
E	14° 34' 30"N., 120° 57' 54"E.
F	14° 34' 02"N., 120° 58' 33"E.

#### DISPOSAL AREA

A	14° 34' 04"N., 120° 57' 46"E.
B	14° 33' 47"N., 120° 57' 55"E.
C	14° 33' 38"N., 120° 57' 38"E.
D	14° 33' 55"N., 120° 57' 27"E.

ALL SHIPS/WATERCRAFTS TRANSITING THE VICINITY OF THE ABOVEMENTIONED AREAS ARE ADVISED TO TAKE NOTE OF THE INFORMATION AND TAKE NECESSARY PRECAUTIONARY MEASURES AT ALL TIMES.

CHART AFFECTED: 4236

CANCEL THIS NAVIGATIONAL WARNING ON 01 JANUARY 2023.

# IV

## NAVIGATIONAL WARNINGS

Date: 19 August 2022

Reference: PCG NTM 431, 432, 440, 447, 448, 449, 450, 451 and 452 - 2022 (HD 392, 393, 401, 407, 408, 409, 410, 411 and 412 /22)

### MESSAGE

#### NAVPHIL 239/22 – LUZON, W. COAST, MANILA BAY – DREDGING

CHINA HARBOUR ENGINEERING COMPANY, UTILIZING VARIOUS VESSELS, IS CONDUCTING DREDGING AND RECLAMATION WORKS AT VICINITY WATERS OFF PASAY CITY; CAOAYAN, ILOCOS SUR; NAIC AND TERNATE, CAVITE UNTIL 31 DECEMBER 2022 OR WITHIN THE AREAS BOUNDED BY THE FOLLOWING COORDINATES:

#### RECLAMATION AREA (MANILA BAY)

- 1 14° 33' 33"N., 120° 58' 38"E.
- 2 14° 33' 25"N., 120° 58' 10"E.
- 3 14° 33' 01"N., 120° 57' 14"E.
- 4 14° 32' 04"N., 120° 57' 08"E.
- 5 14° 32' 02"N., 120° 54' 12"E.
- 6 14° 31' 40"N., 120° 54' 12"E.
- 7 14° 31' 41"N., 120° 57' 09"E.
- 8 14° 34' 34"N., 120° 57' 35"E.
- 9 14° 31' 37"N., 120° 58' 45"E.

#### SAND EXTRACTION AREA (CAVITE)

- 1 14° 18' 01"N., 120° 40' 32"E.
- 2 14° 19' 14"N., 120° 39' 51"E.
- 3 14° 21' 03"N., 120° 43' 13"E.
- 4 14° 20' 58"N., 120° 44' 43"E.
- 5 14° 17' 57"N., 120° 41' 15"E.

#### SAND EXTRACTION AREA (ILOCOS SUR)

- 1 17° 30' 45"N., 120° 23' 14"E.
- 2 17° 30' 27"N., 120° 22' 38"E.
- 3 17° 29' 06"N., 120° 23' 18"E.
- 4 17° 28' 58"N., 120° 25' 36"E.
- 5 17° 29' 25"N., 120° 25' 39"E.

ALL SHIPS/WATERCRAFTS TRANSITING THE VICINITY OF THE ABOVE-MENTIONED AREAS ARE ADVISED TO TAKE NOTE OF THE INFORMATION AND TAKE NECESSARY PRECAUTIONARY MEASURES AT ALL TIMES.

CHART AFFECTED: 1501 AND 4208

CANCEL THIS NAVIGATIONAL WARNING ON 01 JANUARY 2023.



# **IV**

## **NAVIGATIONAL WARNINGS**

Date: 22 August 2022

Reference: PCG NTM 443 – 2022 (HD 404/22)

### **MESSAGE**

---

#### **NAVPHIL 241/22 – LUZON, W. COAST, MANILA BAY – DREDGING**

**PASAY HARBOR CITY CORP., UTILIZING VARIOUS VESSELS, IS CONDUCTING DREDGING ACTIVITY AT VICINITY WATERS OFF THE CITY OF MANILA UNTIL 20 OCTOBER 2022 WITHIN THE AREA BOUNDED BY THE FOLLOWING COORDINATES:**

- 1      14° 34' 32"N., 120° 57' 20"E.**
- 2      14° 34' 32"N., 120° 54' 02"E.**
- 3      14° 34' 16"N., 120° 54' 02"E.**
- 4      14° 34' 16"N., 120° 57' 20"E.**

**ALL SHIPS/WATERCRAFTS TRANSITING THE VICINITY OF THE ABOVE-MENTIONED AREA ARE ADVISED TO TAKE NOTE OF THE INFORMATION AND TAKE NECESSARY PRECAUTIONARY MEASURES AT ALL TIMES.**

**CHART AFFECTED: 4236**

**CANCEL THIS NAVIGATIONAL WARNING ON 21 OCTOBER 2022.**

# IV NAVIGATIONAL WARNINGS

Date: 22 August 2022

Reference: PCG NTM 441-2022 (HD 402/22)

## MESSAGE

**NAVPHIL 242/22 – LUZON, N. AND W. COAST, LUZON SEA & LUZON STRAIT –  
CABLE REPAIR**

**BEN LINE AGENCIES PHILIPPINES INC., UTILIZING CABLE SHIP  
“RESOLUTE”, IS CONDUCTING CABLE REPAIR IN LUZON SEA AND LUZON  
STRAIT UNTIL 18 OCTOBER 2022 IN THE AREAS BOUNDED BY THE  
FOLLOWING COORDINATES:**

### AREA 1

1	15° 54.780'N., 119° 11.557'E
2	15° 58.056'N., 119° 18.682'E
3	15° 48.353'N., 119° 23.440'E
4	15° 45.075'N., 119° 16.315'E
5	15° 49.389'N., 119° 11.224'E

### AREA 2

1	20° 28.281'N., 122° 23.998'E
2	20° 35.126'N., 122° 32.317'E
3	20° 29.536'N., 122° 37.517'E
4	20° 22.675'N., 122° 29.183'E

### AREA 3

1	19° 44.975'N., 120° 06.351'E
2	19° 52.276'N., 120° 18.431'E
3	19° 52.984'N., 120° 24.575'E
4	19° 44.500'N., 120° 25.532'E
5	19° 44.035'N., 120° 21.560'E
6	19° 42.311'N., 120° 19.223'E
7	19° 38.941'N., 120° 18.533'E

**ALL SHIPS/WATERCRAFTS TRANSITING THE VICINITY OF THE ABOVE-  
MENTIONED AREAS ARE ADVISED TO TAKE NOTE OF THE INFORMATION  
AND TAKE NECESSARY PRECAUTIONARY MEASURES AT ALL TIMES.**

**AFFECTED CHART: 4705**

**CANCEL THIS NAVIGATIONAL WARNING ON 19 OCTOBER 2022.**

## **IV NAVIGATIONAL WARNINGS**

Date: 22 August 2022

Reference: PCG NTM 453 - 2022 (HD 413/22)

### **MESSAGE**

**NAVPHIL 243/22 – LUZON, W. COAST, VERDE ISLAND PASSAGE – DREDGING**

**SMC INFRASTRUCTURE, UTILIZING MTUG “PASIG 4”, IS CONDUCTING DREDGING ACTIVITY AT VICINITY WATERS OFF TABANGAO, BATANGAS CITY UNTIL 15 SEPTEMBER 2022 WITHIN THE AREA BOUNDED BY THE FOLLOWING COORDINATES:**

<b>A</b>	<b>13° 37' 14"N., 121° 04' 32"E.</b>
<b>B</b>	<b>13° 37' 15"N., 121° 04' 35"E.</b>
<b>C</b>	<b>13° 37' 12"N., 121° 04' 36"E.</b>
<b>D</b>	<b>13° 37' 09"N., 121° 04' 39"E.</b>
<b>E</b>	<b>13° 37' 08"N., 121° 04' 37"E.</b>
<b>F</b>	<b>13° 37' 10"N., 121° 04' 34"E.</b>

**ALL SHIPS/WATERCRAFTS TRANSITING THE VICINITY OF THE ABOVE- MENTIONED AREA ARE ADVISED TO TAKE NOTE OF THE INFORMATION AND TAKE NECESSARY PRECAUTIONARY MEASURES AT ALL TIMES.**

**CHART AFFECTED: 4256A**

**CANCEL THIS NAVIGATIONAL WARNING ON 16 SEPTEMBER 2022.**

## **IV NAVIGATIONAL WARNINGS**

Date: 25 August 2022

Reference: PCG NTM 459 – 2022 (HD 420/22)

### **MESSAGE**

---

**NAVPHIL 246/22 – LUZON, W. COAST, MANILA BAY – DREDGING**

**SEA BRIDGE PORT AGENCIES CORP., UTILIZING THSD “ALEXANDER VON HUMBOLDT”, IS CONDUCTING DREDGING ACTIVITY AT VICINITY WATERS OFF ROSARIO AND TANZA, CAVITE UNTIL 17 NOVEMBER 2022 WITHIN THE AREA BOUNDED BY THE FOLLOWING COORDINATES:**

<b>A</b>	<b>14° 31' 58"N., 120° 41' 39"E.</b>
<b>B</b>	<b>14° 26' 59"N., 120° 46' 43"E.</b>
<b>C</b>	<b>14° 28' 07"N., 120° 51' 21"E.</b>
<b>D</b>	<b>14° 27' 11"N., 120° 51' 20"E.</b>
<b>E</b>	<b>14° 21' 03"N., 120° 45' 15"E.</b>

**ALL SHIPS/WATERCRAFTS TRANSITING THE VICINITY OF THE ABOVEMENTIONED AREA ARE ADVISED TO TAKE NOTE OF THE INFORMATION AND TAKE NECESSARY PRECAUTIONARY MEASURES AT ALL TIMES.**

**CHART AFFECTED: 1501**

**CANCEL THIS NAVIGATIONAL WARNING ON 18 NOVEMBER 2022.**

# IV

## NAVIGATIONAL WARNINGS

Date: 26 August 2022

Reference: HD 423/22

### MESSAGE

---

#### NAVPHIL 247/22 – PHILIPPINE WATERS – ROUTE SURVEY

EGS ASIA INC., UTILIZING VESSEL “*ML PILAR TUNA DESTINY*” AND “*MBCA ISLAND PRIDE 2*”, WILL CONDUCT MARINE ROUTE SURVEY FOR SUBMARINE CABLE PROJECT FROM 05 SEPTEMBER UNTIL 05 DEC 2022 ALONG THE ROUTES DEFINED BY THE FOLLOWING COORDINATES:

POINTS	COORDINATES
<b>SAN JUAN</b>	
A1	13° 42.408'N., 121° 26.825'E.
A2	13° 41.801'N., 121° 29.757'E.
A3	13° 45.073'N., 121° 30.205'E.
A4	13° 45.579'N., 121° 25.956'E.
<b>SANTA CRUZ</b>	
B1	13° 31.881'N., 122° 02.392'E.
B2	13° 34.651'N., 122° 02.503'E.
B3	13° 33.935'N., 122° 59.563'E.
B4	13° 32.600'N., 122° 59.977'E.
<b>MAGDIWANG</b>	
C1	12° 30.351'N., 122° 33.673'E.
C2	12° 36.964'N., 122° 32.080'E.
C3	12° 33.481'N., 122° 26.012'E.
C4	12° 29.385'N., 122° 27.682'E.
<b>BALUD</b>	
D1	12° 04.326'N., 123° 12.003'E.
D2	12° 03.146'N., 123° 04.168'E.
D3	11° 57.543'N., 123° 04.193'E.
D4	11° 56.320'N., 123° 08.369'E.
<b>CARLE</b>	
E1	11° 34.131'N., 123° 07.530'E.
E2	11° 35.174'N., 123° 06.736'E.
E3	11° 34.131'N., 123° 04.704'E.
E4	11° 32.705'N., 123° 05.816'E.
<b>ESTANCIA</b>	
F1	11° 26.553'N., 123° 09.146'E.
F2	11° 25.704'N., 123° 10.167'E.
F3	11° 24.174'N., 123° 09.069'E.
F4	11° 25.290'N., 123° 08.056'E.

# IV

## NAVIGATIONAL WARNINGS

### CADIZ

G1	10° 57.774'N.,	123° 18.139'E.
G2	10° 59.589'N.,	123° 19.050'E.
G3	11° 00.564'N.,	123° 16.723'E.
G4	10° 59.094'N.,	123° 16.092'E.

### ILOILO

H1	10° 41.059'N.,	122° 32.720'E.
H2	10° 40.943'N.,	122° 32.941'E.
H3	10° 40.699'N.,	122° 32.640'E.
H4	10° 40.850'N.,	122° 32.324'E.

### JORDAN

I1	10° 39.515'N.,	122° 34.738'E.
I2	10° 40.220'N.,	122° 34.820'E.
I3	10° 40.350'N.,	122° 34.172'E.
I4	10° 39.740'N.,	122° 34.315'E.

### SAN LORENZO

J1	10° 37.032'N.,	122° 43.590'E.
J2	10° 37.199'N.,	122° 44.997'E.
J3	10° 35.718'N.,	122° 44.879'E.
J4	10° 35.949'N.,	122° 42.910'E.

### TAGBILARAN

O1	09° 40.807'N.,	123° 51.062'E.
----	----------------	----------------

### BACOLOD

K1	10° 35.325'N.,	122° 53.838'E.
K2	10° 36.133'N.,	122° 53.233'E.
K3	10° 38.046'N.,	122° 52.547'E.
K4	10° 36.749'N.,	122° 54.954'E.

### SAN CARLOS

L1	10° 26.038'N.,	123° 21.427'E.
L2	10° 25.546'N.,	123° 23.485'E.
L3	10° 23.047'N.,	123° 23.273'E.
L4	10° 23.744'N.,	123° 20.836'E.

### TOLEDO

M1	10° 21.012'N.,	123° 35.740'E.
M2	10° 21.897'N.,	123° 34.265'E.
M3	10° 19.814'N.,	123° 33.455'E.
M4	10° 19.340'N.,	123° 34.743'E.

### CARCAR

N1	10° 04.317'N.,	123° 38.422'E.
N2	10° 03.069'N.,	123° 40.218'E.
N3	10° 01.410'N.,	123° 38.936'E.
N4	10° 02.600'N.,	123° 37.574'E.

# IV

## NAVIGATIONAL WARNINGS

### TAGBILARAN

O1	09° 40.807'N.,	123° 51.062'E.
O2	09° 42.124'N.,	123° 49.100'E.
O3	09° 40.724'N.,	123° 47.571'E.
O4	09° 36.622'N.,	123° 50.003'E.

### MOBO

P1	12° 16.453'N.,	124° 43.901'E.
P2	12° 16.911'N.,	124° 44.944'E.
P3	12° 18.197'N.,	124° 44.286'E.
P4	12° 17.767'N.,	124° 43.061'E.

### MATNOG

Q1	12° 35.484'N.,	124° 05.951'E.
Q2	12° 35.389'N.,	124° 06.299'E.
Q3	12° 34.922'N.,	124° 05.971'E.
Q4	12° 35.229'N.,	124° 05.395'E.

### MANOC-MANOC

R1	11° 57.389'N.,	121° 56.476'E.
R2	11° 57.724'N.,	121° 58.024'E.
R3	11° 56.733'N.,	121° 57.990'E.
R4	11° 56.736'N.,	121° 56.876'E.

### NABAS

S1	11° 54.837'N.,	121° 59.301'E.
S2	11° 56.399'N.,	121° 59.744'E.
S3	11° 55.504'N.,	122° 01.319'E.
S4	11° 53.978'N.,	122° 00.610'E.

**ALL SHIPS/WATERCRAFTS TRANSITING THE VICINITY OF THE ABOVE-MENTIONED AREAS ARE ADVISED TO TAKE NOTE OF THE INFORMATION AND TAKE NECESSARY PRECAUTIONARY MEASURES AT ALL TIMES.**

**CHART AFFECTED: 4706, 4708**

**CANCEL THIS NAVIGATIONAL WARNING ON 06 DEC 2022.**

**IV**  
**NAVIGATIONAL WARNINGS**

Date: 26 August 2022

Reference: HD 425/2022

**MESSAGE**

---

**NAVPHIL 248/22 – PHILIPPINE WATERS – GUNNERY**

**THE PHILIPPINE NAVY (PN) VESSELS WILL CONDUCT TEST FIRING OF THEIR NAVAL GUNS ON DATES AND PLACES AS INDICATED:**

**A. BRP HILARIO (PC378) ON 28-29 SEPTEMBER 2022 IN BUTUAN BAY AT VICINITY 8.1 NAUTICAL MILES NORTH OFF DIUTA POINT, AGUSAN DEL NORTE WITHIN THE AREA WITH THE FOLLOWING COORDINATES:**

<b>A</b>	<b>09° 13.613'N</b>	<b>125° 12.478'E</b>
<b>B</b>	<b>09° 13.345'N</b>	<b>125° 15.152'E</b>
<b>C</b>	<b>09° 15.916'N</b>	<b>125° 15.304'E</b>
<b>D</b>	<b>09° 16.199'N</b>	<b>125° 12.680'E</b>

**ALL SHIPS/WATERCRAFTS TRANSITING THE VICINITY OF THE ABOVEMENTIONED AREAS ARE ADVISED TO TAKE NOTE OF THE INFORMATION AND TAKE NECESSARY PRECAUTIONARY MEASURES AT ALL TIMES.**

**CHARTS AFFECTED: 4218, 4603**

**CANCEL THIS NAVIGATIONAL WARNING ON 30 SEPTEMBER 2022.**



# IV

## NAVIGATIONAL WARNINGS

Date: 26 August 2022

Reference: HD 426/2022

### MESSAGE

---

**NAVPHIL 249/22 – MINDORO, N. COAST, ABRA DE ILOG – SURVEY WORKS**

**OVADA DEVELOPMENT PHILS INC., UTILIZING MULTIPLE VESSELS, IS CONDUCTING SURVEY AND TECHNICAL STUDIES AT VICINITY WATERS OFF ABRA DE ILOG, OCCIDENTAL MINDORO ON 26 AUG UNTIL 30 SEP 2022 IN THE AREA BOUNDED BY THE FOLLOWING COORDINATES:**

<b>A</b>	<b>13° 29' 43"N</b>	<b>120° 36' 32"E</b>
<b>B</b>	<b>13° 29' 33"N</b>	<b>120° 36' 42"E</b>
<b>C</b>	<b>13° 29' 43"N</b>	<b>120° 36' 55"E</b>
<b>D</b>	<b>13° 29' 55"N</b>	<b>120° 36' 44"E</b>
<b>E</b>	<b>13° 30' 01"N</b>	<b>120° 36' 17"E</b>
<b>F</b>	<b>13° 29' 46"N</b>	<b>120° 36' 13"E</b>

**ALL SHIPS/WATERCRAFTS TRANSITING THE VICINITY OF THE ABOVE-MENTIONED AREA ARE ADVISED TO TAKE NOTE OF THE INFORMATION AND TAKE NECESSARY PRECAUTIONARY MEASURES AT ALL TIMES.**

**CHART AFFECTED: 4214**

**CANCEL THIS NAVIGATIONAL WARNING ON 01 OCT 2022.**

# IV

## NAVIGATIONAL WARNINGS

Date: 26 August 2022

Reference: PCG NTM 465-2022 (HD 427/22)

### MESSAGE

**NAVPHIL 250/22 – MINDORO, W. COAST, MINDORO STRAIT – SURVEY WORKS**

**OVADA DEVELOPMENT PHILS. INC., UTILIZING MULTIPLE VESSELS, IS CONDUCTING SURVEY AND TECHNICAL STUDIES AT VICINITY WATERS OFF MAMBURAO, OCCIDENTAL MINDORO ON 26 AUGUST UNTIL 30 SEPTEMBER 2022 IN THE AREAS BOUNDED BY THE FOLLOWING COORDINATES:**

- 1 13° 08' 14"N., 120° 40' 46"E.**
- 2 13° 09' 14"N., 120° 40' 11"E.**
- 3 13° 11' 00"N., 120° 39' 08"E.**
- 4 13° 11' 28"N., 120° 37' 49"E.**
- 5 13° 13' 03"N., 120° 35' 05"E.**

**ALL SHIPS/WATERCRAFTS TRANSITING THE VICINITY OF THE ABOVE- MENTIONED AREA ARE ADVISED TO TAKE NOTE OF THE INFORMATION AND TAKE NECESSARY PRECAUTIONARY MEASURES AT ALL TIMES.**

**CHART AFFECTED: 1564**

**CANCEL THIS NAVIGATIONAL WARNING ON 01 OCTOBER 2022.**

**IV**  
**NAVIGATIONAL WARNINGS**

Date: 31 August 2022

Reference: HD 431/22

**MESSAGE**

---

**NAVPHIL 252/22 – MINDANAO, W. COAST, BASILAN STRAIT – GUNNERY**

**THE PHILIPPINE NAVY (PN) VESSELS “BA485” AND “BA487” WILL CONDUCT TEST FIRING OF THEIR NAVAL GUNS ON 05-09 SEP 2022 AT VICINITY WATERS 7 NAUTICAL MILES TEINGA ISLAND, BASILAN WITHIN THE AREA BOUNDED BY THE FOLLOWING COORDINATES:**

<b>A</b>	<b>07-02.095N</b>	<b>121-42.420E</b>
<b>B</b>	<b>07-01.925N</b>	<b>121-35.406E</b>
<b>C</b>	<b>06-56.880N</b>	<b>121-34.480E</b>
<b>D</b>	<b>06-57.099N</b>	<b>121-42.383E</b>

**ALL SHIPS/WATERCRAFTS TRANSITING THE VICINITY OF THE ABOVEMENTIONED AREAS ARE ADVISED TO TAKE NOTE OF THE INFORMATION AND TAKE NECESSARY PRECAUTIONARY MEASURES AT ALL TIMES.**

**CHART AFFECTED: 4511**

**CANCEL THIS NAVIGATIONAL WARNING ON 10 SEP 2022.**

# IV

## NAVIGATIONAL WARNINGS

Date: 31 August 2022

Reference: HD 433/22

### MESSAGE

---

**NAVPHIL 253/22 – LUZON, W. COAST, MANILA BAY– DREDGING WORK**

**THE PASAY CITY HARBOR CORP., UTILIZING MULTIPLE VESSELS, IS CONDUCTING DREDGING AND GEOTECHNICAL INVESTIGATION WORKS UNTIL 31 DEC 2022 AT VICINITY WATERS OF SAN NICOLAS SHOALS AND TERNATE, CAVITE WITHIN THE AREAS BOUNDED BY THE FOLLOWING COORDINATES:**

#### AREA 1

<b>A</b>	<b>14- 26-59N</b>	<b>121- 45-41E</b>
<b>B</b>	<b>14- 26-59N</b>	<b>121- 46-43E</b>
<b>C</b>	<b>14- 22-14N</b>	<b>121- 42-39E</b>
<b>D</b>	<b>14- 22-36N</b>	<b>121- 42-12E</b>
<b>E</b>	<b>14- 24-19N</b>	<b>121- 43-24E</b>

#### AREA 2

<b>A</b>	<b>14- 15-18N</b>	<b>120- 34-55E</b>
<b>B</b>	<b>14- 16-40N</b>	<b>120- 35-40E</b>
<b>C</b>	<b>14- 19-07N</b>	<b>120- 37-42E</b>
<b>D</b>	<b>14- 19-47N</b>	<b>120- 38-39E</b>
<b>E</b>	<b>14- 21-03N</b>	<b>120- 41-39E</b>
<b>F</b>	<b>14- 21-03N</b>	<b>120- 43-13E</b>
<b>G</b>	<b>14- 19-34N</b>	<b>120- 41-39E</b>
<b>H</b>	<b>14- 17-12N</b>	<b>120- 37-17E</b>
<b>I</b>	<b>14- 15-12N</b>	<b>120- 36-17E</b>
<b>J</b>	<b>14- 14-59N</b>	<b>120- 35-31E</b>

**ALL SHIPS/WATERCRAFTS TRANSITING THE VICINITY OF THE ABOVE-MENTIONED AREAS ARE ADVISED TO TAKE NOTE OF THE INFORMATION AND TAKE NECESSARY PRECAUTIONARY MEASURES AT ALL TIMES.**

**CHARTS AFFECTED: 1501**

**CANCEL THIS NAVIGATIONAL WARNING ON 01 JAN 2022.**

## **IV NAVIGATIONAL WARNINGS**

Date: 31 August 2022

Reference: HD 430/22

### **MESSAGE**

---

**NAVPHIL 254/22 – LUZON, W. COAST, LUZON SEA – DREDGING WORK**

**CHINA HARBOUR ENGINEERING COMPANY, UTILIZING MTUG “ADMIRAL TYLER” AND BARGE “JW F-1”, IS CONDUCTING OFFSHORE VIBROCORE DRILLING UNTIL 31 DEC 2022 AT VICINITY WATERS OFF SAN ANTONIO, ZAMBALES WITHIN THE AREA BOUNDED BY THE FOLLOWING COORDINATES:**

<b>A</b>	<b>14-56-55N</b>	<b>120-03-12E</b>
<b>B</b>	<b>14-56-52N</b>	<b>120-03-28E</b>
<b>C</b>	<b>14-56-47N</b>	<b>120-03-27E</b>
<b>D</b>	<b>14-56-50N</b>	<b>120-03-11E</b>

**ALL SHIPS/WATERCRAFTS TRANSITING THE VICINITY OF THE ABOVE-MENTIONED AREAS ARE ADVISED TO TAKE NOTE OF THE INFORMATION AND TAKE NECESSARY PRECAUTIONARY MEASURES AT ALL TIMES.**

**CHARTS AFFECTED: 4211**

**CANCEL THIS NAVIGATIONAL WARNING ON 01 JAN 2023.**

## **V**

# **PUBLICATION NOTICES**

1. Newly published nautical charts
  - a. Chart 1525 – Tuna Point to Sarangani Bay  
Scale: 1: 150 000, 1<sup>st</sup> Edition, 11 August 2022
  - b. Chart 4341 – Port of El Nido  
Scale: 1:10 000, 1<sup>st</sup> Edition, 29 July 2022
2. Mariners are requested to notify the Hydrography Branch, NAMRIA of any changes or discrepancies found on nautical charts and nautical publications issued by this office, especially if this affects navigational safety on Philippine Waters. Reported information may be sent using the Hydrographic Note or the Hydrographic Note for Port Information, which are on the succeeding pages.

Reports may be sent through the following means:

Mail: NAMRIA – Hydrography Branch, 421 Barraca St., San Nicolas, Manila 1010

Email: [maritime.affairs@namria.gov.ph](mailto:maritime.affairs@namria.gov.ph) and [maritime.concerns@gmail.com](mailto:maritime.concerns@gmail.com)

Fax: (+632) 8242-2955

Onsite: <http://namria.gov.ph/omsis/HNote10.aspx>

**HYDROGRAPHIC NOTE**

Date \_\_\_\_\_

Ref. No. \_\_\_\_\_

Name of ship or sender \_\_\_\_\_ IMO No. \_\_\_\_\_

Address of sender \_\_\_\_\_

\_\_\_\_\_

Telephone/Mobile No. \_\_\_\_\_ E-mail \_\_\_\_\_

Subject \_\_\_\_\_

General locality \_\_\_\_\_

Position: Latitude. \_\_\_\_\_ Longitude. \_\_\_\_\_

Position fixing system used \_\_\_\_\_ Datum \_\_\_\_\_

Charts affected \_\_\_\_\_ Edition \_\_\_\_\_

ENCs affected \_\_\_\_\_

Latest Notice to Mariners held \_\_\_\_\_

Nautical Publications affected (Edition No.) \_\_\_\_\_

Details of anomaly or observation:

A replacement copy of Chart No. \_\_\_\_\_  
is required (see Instruction 4).

Signature of observer/reporter \_\_\_\_\_

Tick box if not willing to be named as source of this information

## INSTRUCTIONS

1. Mariners are requested to notify the Hydrography Branch of the National Mapping and Resource Information Authority (NAMRIA) when new or suspected dangers to navigation are discovered, changes observed in aids to navigation, or corrections to publications that are seen to be necessary. Mariners can also report any ENC display issues experienced.
2. This form and its instructions have been designed to help both the sender and the recipient. It should be used, or followed, closely, whenever appropriate. Copies of this form may be obtained gratis from the Hydrography Branch at 421 Barraca St., San Nicolas, Manila, or by requesting thru email at maritime.affairs@namria.gov.ph.
3. **Position:** When a position is defined by sextant angles or bearings (true or magnetic being specified) more than two should be used in order to provide a check. Distances observed by radar should be quoted. However, when there is a series of fixes along a ship's course, only the method of fixing and the objects used need to be indicated. Latitude and longitude should only be used specifically to position the details when they have been fixed by astronomical observations or GPS and a full description of the method, equipment and datum used should be given.
4. **Paper Charts:** A cutting from the largest scale paper chart is the best medium for forwarding details, the alterations and additions being shown thereon in red. When requested, a new copy will be sent in replacement of a chart that has been used to forward information, or when extensive observations have involved defacement of the observer's chart. If it is preferred to show the amendments on a tracing of the largest scale chart (rather than the chart itself) these should be in red as above, but adequate detail from the chart must be traced in black ink to enable the amendments to be fitted correctly.

**Electronic Navigational Charts (ENCs):** A screen grab of the largest scale usage band ENC with the alterations and additions being shown thereon in red.

5. **Soundings:** When soundings are obtained, it is important to ensure that full details of the method of collection are included in this report. This includes but not limited to:
  - a. Make, model, and type of echo sounder used.
  - b. Whether the echo sounder is set to register depths below the surface or below the keel; in the latter case the vessel's draught should be given.
  - c. Time, date and time zone should be given in order that corrections for the height of the tide may be made where necessary, or a statement made as to what corrections for tide have already been made.
  - d. Where larger amounts of bathymetric data have been gathered, only those areas where a significant difference to the current chart or ENC should be specifically mentioned on the H102. The full data set may also be sent in, with an additional note added to this effect. If no significant differences are noted, the bathymetric data may still be of use, and sent in accordingly. Where full



data sets are included, a note as to the data owner and their willingness for the data to be incorporated into charts and ENC's included.

6. **For Echo Sounders that use electronic 'range gating'**, care should be taken that the correct range scale and appropriate gate width are in use. Older electro-mechanical echo sounders frequently record signals from echoes received back after one or more rotations of the stylus have been completed. Thus, with a set whose maximum range is 500m, an echo recorded at 50m may be from depths of 50m, 550m or even 1050m. Soundings recorded beyond the set's nominal range can usually be recognized by the following:
  - a. the trace being weaker than normal for the depth recorded;
  - b. the trace passing through the transmission line;
  - c. the feathery nature of the trace.

As a check that apparently shoal soundings are not due to echoes received beyond the set's nominal range, soundings should be continued until reasonable agreement with charted soundings is reached. However, soundings received after one or more rotations of the stylus can still be useful and should be submitted if they show significant differences from charted depths.

7. **Reports which cannot be confirmed or are lacking in certain details should not be withheld.** Shortcomings should be stressed and any firm expectation of being able to check the information on a succeeding voyage should be mentioned.
8. Changes to Port Information should be forwarded using Hydrographic Note for Port Information. Where there is insufficient space on the forms additional sheets should be used.
9. Reports using this form and relevant data should be sent either through mail at NAMRIA-Hydrography Branch, 421 Barraca St., San Nicolas, Manila or through email at [maritime.affairs@namria.gov.com](mailto:maritime.affairs@namria.gov.com) and [maritime.concerns@gmail.com](mailto:maritime.concerns@gmail.com).

An acknowledgement or receipt will be sent and the information then used to the best advantage which may mean immediate action or inclusion in a revision in due course; for these purposes, the NAMRIA-Hydrography Branch may make reproductions of any material supplied. When a Notice to Mariners is issued, the sender's ship or name is quoted as authority unless (as sometimes happens) the information is also received from other authorities or the sender states that they do not want to be named by using the appropriate tick box on the form. An explanation of the use made of contributions from all parts of the world would be too great a task and a further communication should only be expected when the information is of outstanding value or has unusual features.

NAMRIA  
HNC  
Form11 Rev00

## HYDROGRAPHIC NOTE FOR PORT INFORMATION

Date: \_\_\_\_\_

Name of Observer/Reporter: \_\_\_\_\_ IMO No. \_\_\_\_\_

Address of sender \_\_\_\_\_

Telephone/Mobile No. \_\_\_\_\_ E-mail \_\_\_\_\_

<b>Name of Port</b>			
<b>Approximate Position</b>	Latitude		Longitude
<b>Port Authority</b> Name and contact details			
<b>General Remarks</b>  Principal activities and trade. Latest population figures and date.  Number of ships or tonnage handled per year.  Maximum size of vessel handled.  Copy of Port Handbook ( <i>if available</i> ).			
<b>Berthing Facility</b> Type (L-pier, T-pier, wharf, etc.)  Names, numbers or positions & lengths.  Depths alongside.			
<b>Storage Facility</b> Area of open storage area and warehouse  Existence of reefer facilities, cold storage, and special storage facilities.			
<b>Anchorage</b> Position, designation, depths, holding ground, shelter afforded.			

<p><b>Pilotage</b>  Authority for requests.</p> <p>Pilot boarding position.</p> <p>Regulations (compulsory or not).</p> <p>Name of pilot association and contact details.</p>	
<p><b>Tugs</b>  Number available.</p> <p>Name of tug operator and contact details</p>	
<p><b>Directions</b>  Entry and berthing information.</p> <p>Tidal streams.</p> <p>Navigational aids.</p>	
<p><b>Small Craft Facility</b>  Name of yacht club, contact no., email address.</p>	
<p><b>Cargo Handling</b>  Containers, lighters, Ro-Ro etc.</p>	
<p><b>Repairs</b>  Hull, machinery and underwater.</p> <p>Shipyards.</p> <p>Docking or slipping facilities.  <i>(Give size of vessels handled or dimensions)</i></p> <p>Divers.</p>	
<p><b>Rescue and Distress</b>  Salvage, Lifeboat, Coastguard, etc.</p> <p>Name of nearest Coast Guard station and contact details.</p>	
<p><b>Supplies</b>  Fuel.  (with type, quantities and methods of delivery)</p> <p>Fresh water.  (with method of delivery and rate of supply)</p>	

Provisions.	
<b>Services</b> Medical.  Ship Sanitation.  Garbage and slops.  Ship chandlery, tank cleaning, compass adjustment, hull painting.	
<b>Communications</b> Nearest airport or airfield.  Port radio and information service. (with frequencies and hours of operating)	
<b>Government Services</b> Customs  Quarantine  Plant and Animal Quarantine  Immigration	
<b>Local Situation</b> Health facilities (nearest hospitals, clinics, health centers)  Banks and money remittance facilities	
<b>Views</b> Photographs (where permitted) of the approaches, leading marks, the entrance to the harbor etc.	
<b>Additional Details</b>	

Signature of observer/reporter \_\_\_\_\_

**Notes:**

1. This form lists the information required for Philippine Coast Pilot and has been designed to help the sender and the recipient. The sections should be used as an aide-memoir, being used or followed closely, whenever appropriate. Where there is insufficient space on the form an additional sheet should be used.
2. Reports which cannot be confirmed or are lacking in certain details should not be withheld. Shortcomings should be stressed and any firm expectation of being able to check the information on a succeeding voyage should be mentioned.

***INTENTIONALLY LEFT AS BLANK***

Nautical Charts, Topographic Maps, Tide and Current Tables and related publications are available for sale at the following NAMRIA Map Sales Offices (MSO):

**METRO MANILA:**

**NAMRIA Main Office MSO**

Fort Andres Bonifacio, Taguig City  
Contact Nos. (02) 8810-4831 to 42 local 431,  
(02) 8810-5467

**Manila MSO**

Hydrography Branch  
421 Barraca Street, San Nicolas, Manila  
Contact Nos. (02) 8241-3494 to 96 local 117,  
(02) 8245-9498

**DENR Central Office MSO**

Forest Management Bureau (FMB) Compound  
Visayas Avenue, Quezon City  
Contact Nos. (02) 8925-1157

**REGION I:**

**San Fernando (La Union) MSO**

DENR Government Center  
Sevilla, San Fernando City  
Contact Nos. (0999) 405-6917

**REGION II:**

**Cagayan MSO**

DENR – LEP, Building II  
Carig, Tuguegarao City  
Contact Nos. (0999) 309-3702

**CORDILLERA ADMINISTRATIVE REGION:**

**Baguio City MSO**

Cottage I Forester Compound,  
PACDAL, Baguio City  
Contact Nos. (074) 442-5429, (074) 442-4531,  
0918-9203590

**REGION III:**

**Nueva Ecija MSO**

GIS Room, WMRC Building,  
Central Luzon State University Compound  
Maharlika Highway, Muñoz City  
Contact Nos. (044) 456-0690, 0917-9313827

**Pampanga MSO**

Diosdado Macapagal Government Center  
Maimpis, San Fernando City  
Contact Nos. (0910) 372-5623

**REGION IV-A:**

**Southern Tagalog MSO**

Provincial Planning and Development Office  
Laurel Park, Capitol Site, Batangas City  
Contact Nos. (0905) 506-8681

**REGION IV-B:**

**Puerto Princesa MSO**

DENR-PENRO Compound,  
Brgy. Santa Monica, Puerto Princesa City  
Contact Nos. (048) 433-1391, (0918) 283-7045

**REGION V:**

**Legazpi City MSO**

DENR-Operation/Survey Division,  
Rizal St., Sagpon, Legazpi City  
Contact Nos. (052) 480-9825, (0920) 437-8877

**REGION VI:**

**Iloilo City MSO**

Manuel Lagunilla Bldg,  
DENR Compound, Parola, Iloilo City  
Contact Nos. (0919) 887-3862,

**REGION VII:**

**Cebu City MSO**

Room 301, Osmeña Bldg. II, Osmeña Blvd, Cebu City  
Contact Nos. (032) 505-9945, (0922) 791-0372

**REGION VIII:**

**Tacloban City MSO**

DENR Compound, Sto. Niño Extension, Tacloban City  
Contact Nos. (053) 325-6223, (053) 321-3386,  
0921-3628489

**REGION IX:**

**Zamboanga City MSO**

DENR CENRO West  
General Vicente Alvarez St., Zone 4, Zamboanga City  
Contact Nos. 0935-8609439

**Zamboanga del Sur MSO**

Pres. Corazon C. Aquino Regional Government,  
Center, Balintawak, Pagadian City, Zamboanga del Sur  
Contact Nos. 0907-2777422

**REGION X:**

**Cagayan de Oro City MSO**

Day Care Center Building, DENR-Compound,  
Macabalan (Puntod), Cagayan de Oro City  
Contact Nos. 0926-4148976

**REGION XI:**

**Davao City MSO**

Kilometer 7, SPED Road, Bangkal,  
Davao City  
Contact Nos. 0915-6127770

**REGION XII:**

**Koronadal City MSO**

DENR Region 12, Land Evaluation Party Office,  
Aurora Street, Koronadal City, South Cotabato  
Contact Nos. 0908-5459367, 0998-9840921

**CARAGA Administrative Region:**

**CARAGA MSO**

DENR Land Management Services Bldg.,  
Ambago, Butuan City, Agusan del Norte  
Contact Nos. (085) 342-6124, (085) 341-3250,  
0948-620-9442, 0926-683-5521